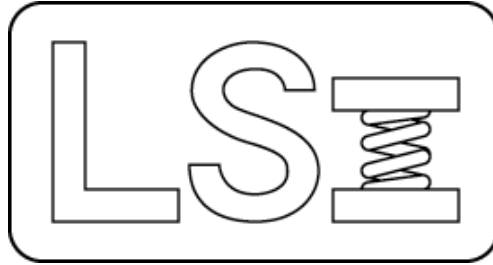


Larson Systems Inc.



ATST 500 Parts List

Automatic Torsion Spring Tester

050-0000-0112-01 – 500 in-lb. Low Profile

050-0000-0112-03 – 500 in-lb. High Profile





050-0000-0112-01

Parts List

ATST 500 - Automatic Torsion Spring Tester 500 in-lb -

Rev	By	Date	Description
	DAL	01-19-2004	

Item	Qty	Part Number	Rev	Part Name	PCB Location	Part Length
1	1	025-0000-0336-03	G	ATST Standard Main Assembly 11.5" x 11Ø		in.
2	1	025-6000-0025-01	C	Sticker Assembly - ATST 500		in.
3	1	060-1000-0082-00	A	User Manual - ATST		in.
4	1	060-2000-0029-01		Parts List - ATST 500		in.
5	1	025-2000-0165-09		Schematic, ATST		in.
5		025-2000-0160-09		Schematic, Flash ATST-500, w/servo, 240vac		in.

Approved by: _____

Date: _____



050-0000-0112-03

Parts List

ATST 500 - Automatic Torsion Spring Tester 500 in-lb -

Rev	By	Date	Description
	DAL	12-08-2004	

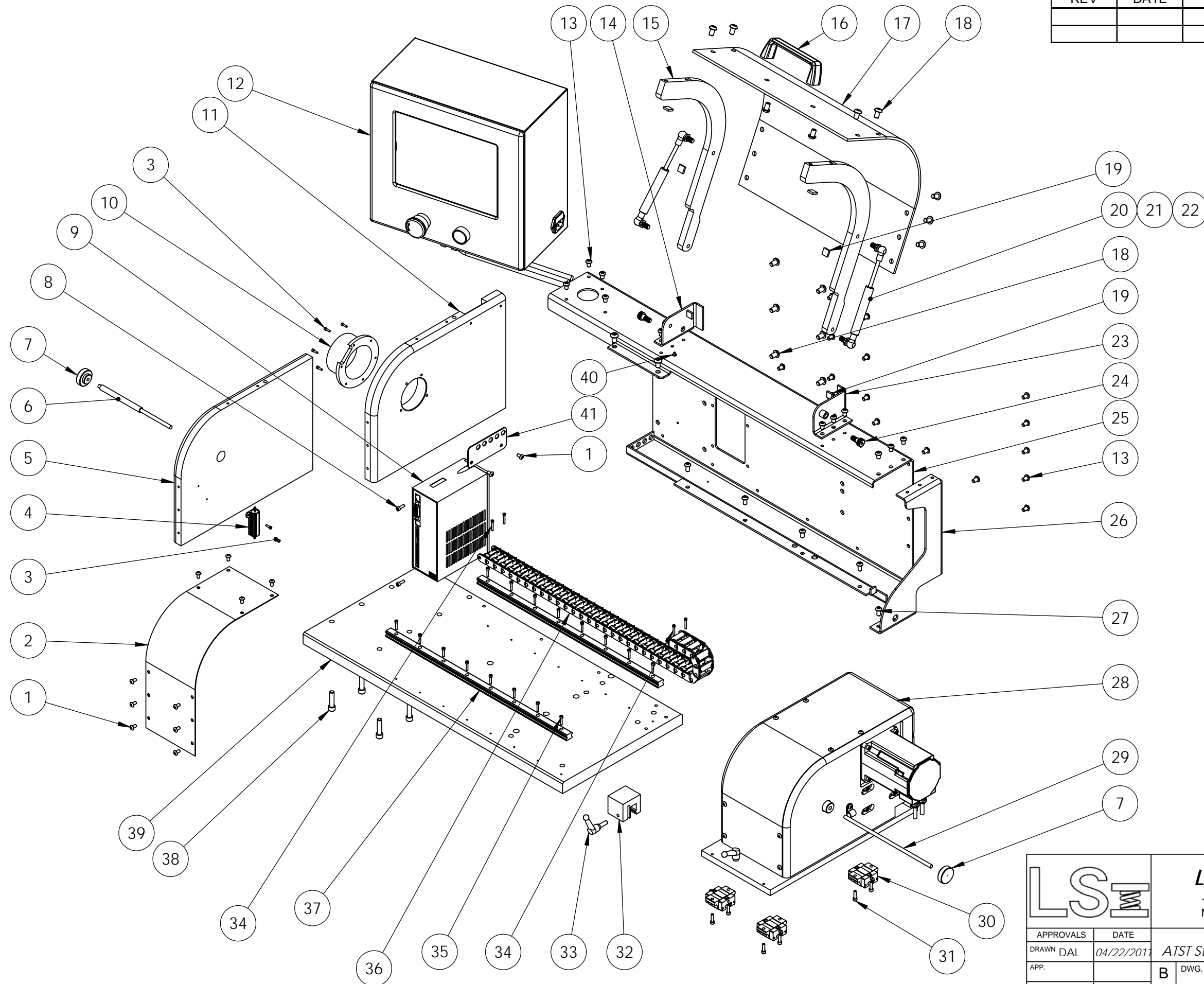
Item	Qty	Part Number	Rev	Part Name	PCB Location	Part Length
1	1	025-0000-0336-04	G	ATST Standard Main Assembly 11.5" x 17Ø		in.
2	1	025-6000-0025-02	C	Sticker Assembly - ATST 1000		in.
3	1	060-1000-0082-00	A	User Manual - ATST		in.
4	1	060-2000-0029-02		Parts List - ATST 1300		in.
5	1	025-2000-0165-09		Schematic, ATST		in.
6		025-2000-0160-10		Schematic, Flash ATST-1000, w/servo, 240vac		in.

Approved by: _____

Date: _____

-03,-06

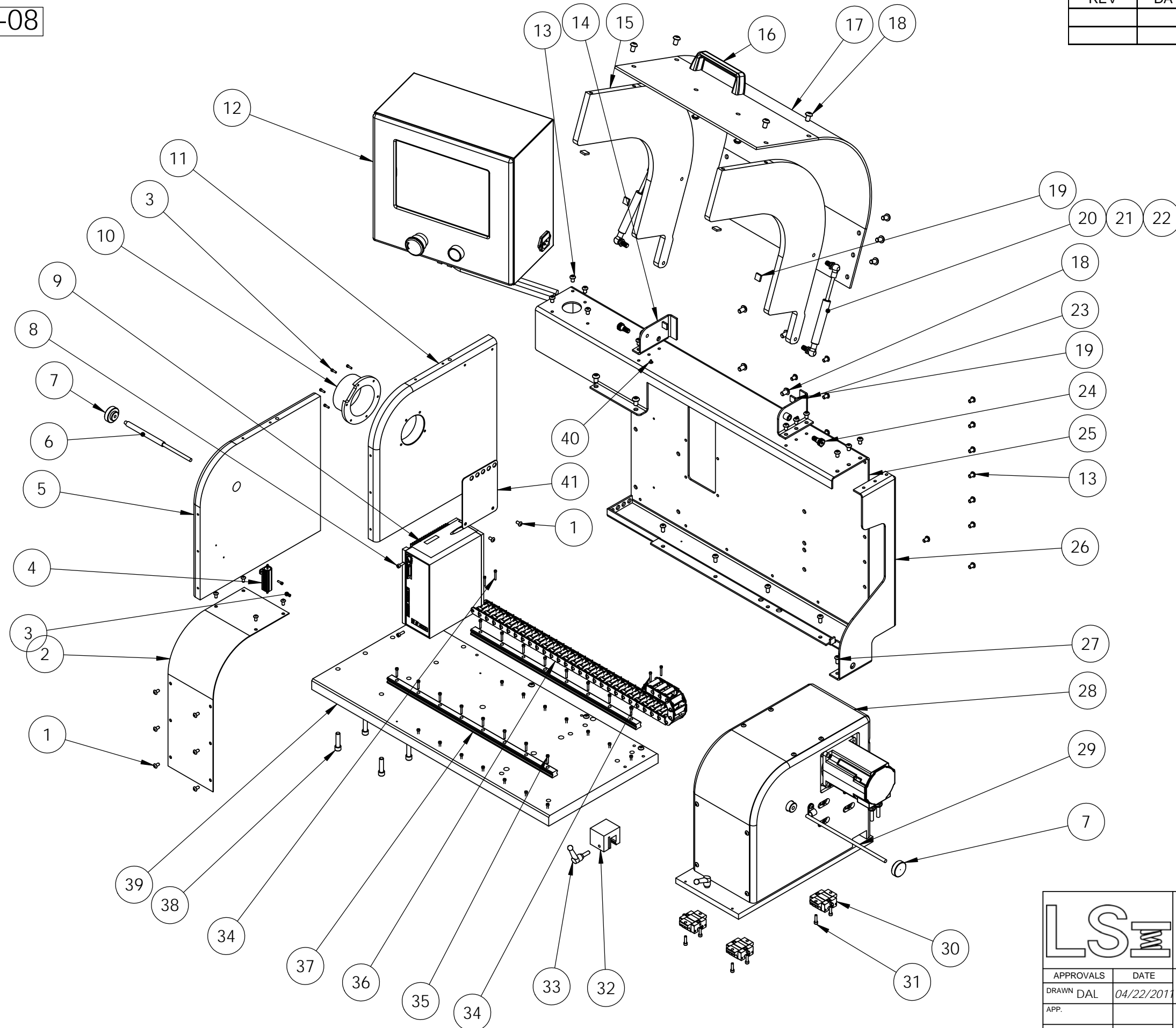
REV	DATE	DESCRIPTION	DRW	APP



		LARSON SYSTEMS INC. 10073 Baltimore St. NE PH. 763-780-2131 Mpls., MN 55449 FAX. 763-780-2182		
				APPROVALS
DRAWN	DAL	04/22/2011	ATST Standard Main Assembly	
APP.			B	DWG. NO. 025-0000-0336-XXG
APP.			SCALE: NONE	SHEET 1 OF 4

-04,-05,-07,-08

REV	DATE	DESCRIPTION	DRW	APP



		LARSON SYSTEMS INC. 10073 Baltimore St. NE PH. 763-780-2131 Mpls., MN 55449 FAX. 763-780-2182	
DRAWN	DAL	04/22/2011	ATST Standard Main Assembly
APP.			REV:
APP.		B	DWG. NO. 025-0000-0336-XXG
SCALE: NONE			SHEET 2 OF 4

**025-0000-0336-03 G**

Parts List

ATST Standard Main Assembly 11.5" x 11Ø

Rev	By	Date	Description
D	KMP	06-05-2006	Delete Items 34, 38, 39, 40 (re-number) Change Item 6 11-3-0017-00 was 25-1-0406-02, Item 48 13-0-0015-00 was 13-0-262-00, Item 62 25-1-0540-00 was 13-0-0031-00, Item 63 18-0-2845-00 was 13-0-0103-00, Item 64 13-0-0028-00
E	KMP	08-21-2006	Item 4 was 025-0000-0431-01 Delete Items 29, 30, 31, 48, 62, 63, 64,
F	DAL	03-25-2011	Redesign for -06 24" long and lift up guard
G	RRS	02-22-2013	Add 40 & 41, Item 19 qty was 4, Item 14 was 15, 15 was 14

Item	Qty	Part Number	Rev	Part Name	PCB Location	Part Length
1	12	013-0000-0118-00		10-24 X 3/8 BHSCS		in.
2	1	018-0000-2659-00	C	Cover, Top-Front ATST		in.
3	8	013-0000-0010-00		4-40 X 3/8 SHCS		in.
4	1	005-2000-0008-00		Resistor - 10 ohm 50w		in.
5	1	018-0000-1526-01	E	Housing Side, Left, ATST		in.
6	1	018-0000-1667-03	G	Quick Change Drawbar 1/4-28 thd.		in.
7	2	018-0000-1607-00	C	QUICK CHANGE KNOB		in.
8	2	013-0000-0181-00		8-32 X 1/2 SHCS		in.
9	1	011-3000-0019-00		S200 SERVO MOTOR DRIVE, 6 AMP LIMIT		in.
10	1	018-0000-1660-00	E	Internal Flange Receiver		in.
11	1	018-0000-1525-01	E	Housing Side, Right, ATST		in.
12	1	025-0000-0431-10	C	FLASH - Computer Assembly		in.
13	29	013-0000-0128-00		1/4-20 X 3/8 BHSCS		in.
14	1	018-0000-3104-00		Pivot Bracket, Left		in.
15	2	018-0000-3103-00	A	Cover Pivot Bar		in.
16	1	013-5000-0238-00		Handle		in.
17	1	018-0000-2657-00	B	Guard , ATST 11 dia x 11.5" travel		in.
18	18	013-0000-0385-00		5/16-18 x 1/2 BHSCS		in.
19	6	013-3000-0044-00		Bumper, Adhesive Backed		in.
20	2	013-2000-0390-00		Gas Spring		in.
21	4	013-2000-0390-01		Gas Spring ball stud		in.
22	4	013-2000-0390-02		Gas Spring end fitting		in.
23	1	018-0000-3104-01		Pivot Bracket, Right		in.
24	2	013-0000-0534-00		3/8 dia x 1/4 SHSS, Shoulder Screw 5/16-18		in.
25	1	025-0000-0819-00	A	Back Cover, ATST 11.5 x 11 dia		in.
26	1	018-0000-3246-00	A	ATST, Back Panel Brace		in.
27	6	013-0000-0105-00		1/4-20 X 1/2 BHSCS		in.
28	1	025-0000-0633-00	F	ATST Standard Tailstock		in.
29	1	018-0000-1606-03	H	Quick Change Rod		in.
30	4	013-2000-0266-00		Linear Bearing Block with 2 hole mount screw from		in.

Approved by: _____

Date: _____

SEE ATTACHED 2 DRAWINGS

Printed on 07-31-2013, 8:02:14 AM by RRS

Page 3 of 4



025-0000-0336-03 G

Parts List

ATST Standard Main Assembly 11.5" x 11Ø

Rev	By	Date	Description
D	KMP	06-05-2006	Delete Items 34, 38, 39, 40 (re-number) Change Item 6 11-3-0017-00 was 25-1-0406-02, Item 48 13-0-0015-00 was 13-0-262-00, Item 62 25-1-0540-00 was 13-0-0031-00, Item 63 18-0-2845-00 was 13-0-0103-00, Item 64 13-0-0028-00
E	KMP	08-21-2006	Item 4 was 025-0000-0431-01 Delete Items 29, 30, 31, 48, 62, 63, 64,
F	DAL	03-25-2011	Redesign for -06 24" long and lift up guard
G	RRS	02-22-2013	Add 40 & 41, Item 19 qty was 4, Item 14 was 15, 15 was 14

Item	Qty	Part Number	Rev	Part Name	PCB Location	Part Length
31	8	013-0000-0161-00		8-32 X 5/8 SHCS		in.
32	1	018-0000-2450-00	E	TST Linear Rail Clamp		in.
33	1	013-5000-0131-00		Adjustable Handle 1/4-20 X .78"		in.
34	4	013-0000-0291-00		4-40 X 3/4 SHCS		in.
35	16	013-0000-0188-00		M3-0.5 X 16 mm SHCS		in.
36	33	013-4000-0007-00		Nylatrac Cable and Hose Carrier, ATST 11.5"		in.
37	2	013-2000-0067-02		11" Linear Bearing Rail (15x460 mm) (FLASH, TST)		in.
38	8	013-0000-0154-00		5/16-18 X 1 1/4 SHCS		in.
39	1	018-0000-1527-01	D	Base, ATST 11.5" between plates		in.
40	1	007-0000-0103-00		Safety Shield Switch		in.
41	1	018-0000-3248-05	A	ATST, Back panel vent cover		in.
42	ref	025-2000-0165-09		Schematic, ATST		in.

Approved by: _____

Date: _____

SEE ATTACHED 2 DRAWINGS



025-0000-0336-04 G

Parts List

ATST Standard Main Assembly 11.5" x 17Ø

Rev	By	Date	Description
D	KMP	06-05-2006	Delete Items 34, 38, 39, 40 (re-number) Change Item 6 11-3-0017-00 was 25-1-0406-02, Item 48 13-0-0015-00 was 13-0-262-00, Item 62 25-1-0540-00 was 13-0-0031-00, Item 63 18-0-2845-00 was 13-0-0103-00, Item 64 13-0-0028-00
E	KMP	08-21-2006	Item 4 was 025-0000-0431-01 Delete Items 29, 30, 31, 48, 62, 63, 64,
F	DAL	03-25-2011	Redesign for -06 24" long and lift up guard
G	RRS	02-22-2013	Add 40 & 41, Item 19 qty was 4, Item 14 was 15, 15 was 14

Item	Qty	Part Number	Rev	Part Name	PCB Location	Part Length
1	12	013-0000-0118-00		10-24 X 3/8 BHSCS		in.
2	1	018-0000-2659-00	C	Cover, Top-Front ATST		in.
3	8	013-0000-0010-00		4-40 X 3/8 SHCS		in.
4	1	005-2000-0008-00		Resistor - 10 ohm 50w		in.
5	1	018-0000-1526-02	E	Housing Side, Left, ATST HP		in.
6	1	018-0000-1667-03	G	Quick Change Drawbar 1/4-28 thd.		in.
7	2	018-0000-1607-00	C	QUICK CHANGE KNOB		in.
8	2	013-0000-0181-00		8-32 X 1/2 SHCS		in.
9	1	011-3000-0019-00		S200 SERVO MOTOR DRIVE, 6 AMP LIMIT		in.
10	1	018-0000-1660-00	E	Internal Flange Receiver		in.
11	1	018-0000-1525-02	E	Housing Side, Right, ATST HP		in.
12	1	025-0000-0431-10	C	FLASH - Computer Assembly		in.
13	29	013-0000-0128-00		1/4-20 X 3/8 BHSCS		in.
14	1	018-0000-3104-00		Pivot Bracket, Left		in.
15	2	018-0000-3103-01	A	Cover Pivot Bar, High Profile		in.
16	1	013-5000-0238-00		Handle		in.
17	1	018-0000-2657-02	B	Guard, ATST 17 dia x 11.5" travel		in.
18	18	013-0000-0385-00		5/16-18 x 1/2 BHSCS		in.
19	6	013-3000-0044-00		Bumper, Adhesive Backed		in.
20	2	013-2000-0390-00		Gas Spring		in.
21	4	013-2000-0390-01		Gas Spring ball stud		in.
22	4	013-2000-0390-02		Gas Spring end fitting		in.
23	1	018-0000-3104-01		Pivot Bracket, Right		in.
24	2	013-0000-0534-00		3/8 dia x 1/4 SHSS, Shoulder Screw 5/16-18		in.
25	1	025-0000-0819-02	A	Back Cover, ATST 11.5 x 17 dia		in.
26	1	018-0000-3246-01	A	ATST, Back Panel Brace, High Profile		in.
27	8	013-0000-0105-00		1/4-20 X 1/2 BHSCS		in.
28	1	025-0000-0633-04	F	Automated TST Standard Tailstock - HP		in.
29	1	018-0000-1606-03	H	Quick Change Rod		in.
30	4	013-2000-0266-00		Linear Bearing Block with 2 hole mount screw from		in.

Approved by: _____

Date: _____

SEE ATTACHED 2 DRAWINGS



025-0000-0336-04 G

Parts List

ATST Standard Main Assembly 11.5" x 17Ø

Rev	By	Date	Description
D	KMP	06-05-2006	Delete Items 34, 38, 39, 40 (re-number) Change Item 6 11-3-0017-00 was 25-1-0406-02, Item 48 13-0-0015-00 was 13-0-262-00, Item 62 25-1-0540-00 was 13-0-0031-00, Item 63 18-0-2845-00 was 13-0-0103-00, Item 64 13-0-0028-00
E	KMP	08-21-2006	Item 4 was 025-0000-0431-01 Delete Items 29, 30, 31, 48, 62, 63, 64,
F	DAL	03-25-2011	Redesign for -06 24" long and lift up guard
G	RRS	02-22-2013	Add 40 & 41, Item 19 qty was 4, Item 14 was 15, 15 was 14

Item	Qty	Part Number	Rev	Part Name	PCB Location	Part Length
31	8	013-0000-0161-00		8-32 X 5/8 SHCS		in.
32	1	018-0000-2450-00	E	TST Linear Rail Clamp		in.
33	1	013-5000-0131-00		Adjustable Handle 1/4-20 X .78"		in.
34	4	013-0000-0291-00		4-40 X 3/4 SHCS		in.
35	16	013-0000-0188-00		M3-0.5 X 16 mm SHCS		in.
36	33	013-4000-0007-00		Nylatrac Cable and Hose Carrier, ATST 11.5"		in.
37	2	013-2000-0067-02		11" Linear Bearing Rail (15x460 mm) (FLASH, TST)		in.
38	8	013-0000-0154-00		5/16-18 X 1 1/4 SHCS		in.
39	1	018-0000-1527-01	D	Base, ATST 11.5" between plates		in.
40	1	007-0000-0103-00		Safety Shield Switch		in.
41	1	018-0000-3248-06	A	ATST, Back panel vent cover, high profile		in.
42	ref	025-2000-0165-09		Schematic, ATST		in.

Approved by: _____

Date: _____

SEE ATTACHED 2 DRAWINGS



025-0000-0336-05 G

Parts List

ATST Heavy Duty Main Assembly 24" x 17Ø

Rev	By	Date	Description
D	KMP	06-05-2006	Delete Items 34, 38, 39, 40 (re-number) Change Item 6 11-3-0017-00 was 25-1-0406-02, Item 48 13-0-0015-00 was 13-0-262-00, Item 62 25-1-0540-00 was 13-0-0031-00, Item 63 18-0-2845-00 was 13-0-0103-00, Item 64 13-0-0028-00
E	KMP	08-21-2006	Item 4 was 025-0000-0431-01 Delete Items 29, 30, 31, 48, 62, 63, 64,
F	DAL	03-25-2011	Redesign for -06 24" long and lift up guard
G	RRS	02-22-2013	Add 40 & 41, Item 19 qty was 4, Item 14 was 15, 15 was 14

Item	Qty	Part Number	Rev	Part Name	PCB Location	Part Length
1	12	013-0000-0118-00		10-24 X 3/8 BHSCS		in.
2	1	018-0000-2659-00	C	Cover, Top-Front ATST		in.
3	8	013-0000-0010-00		4-40 X 3/8 SHCS		in.
4	1	005-2000-0008-00		Resistor - 10 ohm 50w		in.
5	1	018-0000-1526-02	E	Housing Side, Left, ATST HP		in.
6	1	018-0000-1667-03	G	Quick Change Drawbar 1/4-28 thd.		in.
7	2	018-0000-1607-00	C	QUICK CHANGE KNOB		in.
8	2	013-0000-0181-00		8-32 X 1/2 SHCS		in.
9	1	011-3000-0020-00		SERVO MOTOR DRIVE, 12 AMP LIMIT		in.
10	1	018-0000-1660-00	E	Internal Flange Receiver		in.
11	1	018-0000-1525-02	E	Housing Side, Right, ATST HP		in.
12	1	025-0000-0431-10	C	FLASH - Computer Assembly		in.
13	29	013-0000-0128-00		1/4-20 X 3/8 BHSCS		in.
14	1	018-0000-3104-00		Pivot Bracket, Left		in.
15	2	018-0000-3103-01	A	Cover Pivot Bar, High Profile		in.
16	1	013-5000-0238-00		Handle		in.
17	1	018-0000-2657-03	B	Guard, ATST 17 dia x 24" travel		in.
18	18	013-0000-0385-00		5/16-18 x 1/2 BHSCS		in.
19	6	013-3000-0044-00		Bumper, Adhesive Backed		in.
20	2	013-2000-0390-00		Gas Spring		in.
21	4	013-2000-0390-01		Gas Spring ball stud		in.
22	4	013-2000-0390-02		Gas Spring end fitting		in.
23	1	018-0000-3104-01		Pivot Bracket, Right		in.
24	2	013-0000-0534-00		3/8 dia x 1/4 SHSS, Shoulder Screw 5/16-18		in.
25	1	025-0000-0819-03	A	Back Cover, ATST 24 x 17 dia		in.
26	1	018-0000-3246-01	A	ATST, Back Panel Brace, High Profile		in.
27	8	013-0000-0105-00		1/4-20 X 1/2 BHSCS		in.
28	1	025-0000-0633-05	F	Automated TST Heavy Tailstock - HP		in.
29	1	018-0000-1606-03	H	Quick Change Rod		in.
30	4	013-2000-0266-00		Linear Bearing Block with 2 hole mount screw from		in.

Approved by: _____

Date: _____

SEE ATTACHED 2 DRAWINGS



025-0000-0336-05 G

Parts List

ATST Heavy Duty Main Assembly 24" x 17Ø

Rev	By	Date	Description
D	KMP	06-05-2006	Delete Items 34, 38, 39, 40 (re-number) Change Item 6 11-3-0017-00 was 25-1-0406-02, Item 48 13-0-0015-00 was 13-0-262-00, Item 62 25-1-0540-00 was 13-0-0031-00, Item 63 18-0-2845-00 was 13-0-0103-00, Item 64 13-0-0028-00
E	KMP	08-21-2006	Item 4 was 025-0000-0431-01 Delete Items 29, 30, 31, 48, 62, 63, 64,
F	DAL	03-25-2011	Redesign for -06 24" long and lift up guard
G	RRS	02-22-2013	Add 40 & 41, Item 19 qty was 4, Item 14 was 15, 15 was 14

Item	Qty	Part Number	Rev	Part Name	PCB Location	Part Length
31	8	013-0000-0161-00		8-32 X 5/8 SHCS		in.
32	1	018-0000-2450-00	E	TST Linear Rail Clamp		in.
33	1	013-5000-0131-00		Adjustable Handle 1/4-20 X .78"		in.
34	4	013-0000-0291-00		4-40 X 3/4 SHCS		in.
35	16	013-0000-0188-00		M3-0.5 X 16 mm SHCS		in.
36	49	013-4000-0007-01		Nylatrac Cable and Hose Carrier, ATST 24"		in.
37	2	013-2000-0067-05		24" Linear Bearing Rail (15x760 mm) (ATST x 24")		in.
38	8	013-0000-0154-00		5/16-18 X 1 1/4 SHCS		in.
39	1	018-0000-1527-04	D	Base, ATST 24.0" between plates		in.
40	1	007-0000-0103-00		Safety Shield Switch		in.
41	1	018-0000-3248-06	A	ATST, Back panel vent cover, high profile		in.
42	ref	025-2000-0165-09		Schematic, ATST		in.

Approved by: _____

Date: _____

SEE ATTACHED 2 DRAWINGS



025-0000-0336-06 G

Parts List

ATST Standard Main Assembly 24" x 11Ø

Rev	By	Date	Description
D	KMP	06-05-2006	Delete Items 34, 38, 39, 40 (re-number) Change Item 6 11-3-0017-00 was 25-1-0406-02, Item 48 13-0-0015-00 was 13-0-262-00, Item 62 25-1-0540-00 was 13-0-0031-00, Item 63 18-0-2845-00 was 13-0-0193-00, Item 64 13-0-0028-00
E	KMP	08-21-2006	Item 4 was 025-0000-0431-01 Delete Items 29, 30, 31, 48, 62, 63, 64,
F	DAL	03-25-2011	Redesign for -06 24" long and lift up guard
G	RRS	02-22-2013	Add 40 & 41, Item 19 qty was 4, Item 14 was 15, 15 was 14

Item	Qty	Part Number	Rev	Part Name	PCB Location	Part Length
1	12	013-0000-0118-00		10-24 X 3/8 BHSCS		in.
2	1	018-0000-2659-00	C	Cover, Top-Front ATST		in.
3	8	013-0000-0010-00		4-40 X 3/8 SHCS		in.
4	1	005-2000-0008-00		Resistor - 10 ohm 50w		in.
5	1	018-0000-1526-01	E	Housing Side, Left, ATST		in.
6	1	018-0000-1667-03	G	Quick Change Drawbar 1/4-28 thd.		in.
7	2	018-0000-1607-00	C	QUICK CHANGE KNOB		in.
8	2	013-0000-0181-00		8-32 X 1/2 SHCS		in.
9	1	011-3000-0019-00		S200 SERVO MOTOR DRIVE, 6 AMP LIMIT		in.
10	1	018-0000-1660-00	E	Internal Flange Receiver		in.
11	1	018-0000-1525-01	E	Housing Side, Right, ATST		in.
12	1	025-0000-0431-10	C	FLASH - Computer Assembly		in.
13	29	013-0000-0128-00		1/4-20 X 3/8 BHSCS		in.
14	1	018-0000-3104-00		Pivot Bracket, Left		in.
15	2	018-0000-3103-00	A	Cover Pivot Bar		in.
16	1	013-5000-0238-00		Handle		in.
17	1	018-0000-2657-01	B	Guard , ATST 11 dia x 24" travel		in.
18	18	013-0000-0385-00		5/16-18 x 1/2 BHSCS		in.
19	4	013-3000-0044-00		Bumper, Adhesive Backed		in.
20	2	013-2000-0390-00		Gas Spring		in.
21	4	013-2000-0390-01		Gas Spring ball stud		in.
22	4	013-2000-0390-02		Gas Spring end fitting		in.
23	1	018-0000-3104-01		Pivot Bracket, Right		in.
24	2	013-0000-0534-00		3/8 dia x 1/4 SHSS, Shoulder Screw 5/16-18		in.
25	1	025-0000-0819-01	A	Back Cover, ATST 24 x 11 dia		in.
26	1	018-0000-3246-00	A	ATST, Back Panel Brace		in.
27	6	013-0000-0105-00		1/4-20 X 1/2 BHSCS		in.
28	1	025-0000-0633-00	F	ATST Standard Tailstock		in.
29	1	018-0000-1606-03	H	Quick Change Rod		in.
30	4	013-2000-0266-00		Linear Bearing Block with 2 hole mount screw from		in.

Approved by: _____

Date: _____

SEE ATTACHED 2 DRAWINGS



025-0000-0336-06 G

Parts List

ATST Standard Main Assembly 24" x 11Ø

Rev	By	Date	Description
D	KMP	06-05-2006	Delete Items 34, 38, 39, 40 (re-number) Change Item 6 11-3-0017-00 was 25-1-0406-02, Item 48 13-0-0015-00 was 13-0-262-00, Item 62 25-1-0540-00 was 13-0-0031-00, Item 63 18-0-2845-00 was 13-0-0103-00, Item 64 13-0-0028-00
E	KMP	08-21-2006	Item 4 was 025-0000-0431-01 Delete Items 29, 30, 31, 48, 62, 63, 64,
F	DAL	03-25-2011	Redesign for -06 24" long and lift up guard
G	RRS	02-22-2013	Add 40 & 41, Item 19 qty was 4, Item 14 was 15, 15 was 14

Item	Qty	Part Number	Rev	Part Name	PCB Location	Part Length
31	8	013-0000-0161-00		8-32 X 5/8 SHCS		in.
32	1	018-0000-2450-00	E	TST Linear Rail Clamp		in.
33	1	013-5000-0131-00		Adjustable Handle 1/4-20 X .78"		in.
34	4	013-0000-0291-00		4-40 X 3/4 SHCS		in.
35	16	013-0000-0188-00		M3-0.5 X 16 mm SHCS		in.
36	49	013-4000-0007-01		Nylatrac Cable and Hose Carrier, ATST 24"		in.
37	2	013-2000-0067-05		24" Linear Bearing Rail (15x760 mm) (ATST x 24")		in.
38	8	013-0000-0154-00		5/16-18 X 1 1/4 SHCS		in.
39	1	018-0000-1527-04	D	Base, ATST 24.0" between plates		in.
40	1	007-0000-0103-00		Safety Shield Switch		in.
41	1	018-0000-3248-05	A	ATST, Back panel vent cover		in.
42	ref	025-2000-0165-09		Schematic, ATST		in.

Approved by: _____

Date: _____

SEE ATTACHED 2 DRAWINGS



025-0000-0336-07 G

Parts List

ATST Standard Main Assembly 24" x 17Ø

Rev	By	Date	Description
D	KMP	06-05-2006	Delete Items 34, 38, 39, 40 (re-number) Change Item 6 11-3-0017-00 was 25-1-0406-02, Item 48 13-0-0015-00 was 13-0-262-00, Item 62 25-1-0540-00 was 13-0-0031-00, Item 63 18-0-2845-00 was 13-0-0103-00, Item 64 13-0-0028-00
E	KMP	08-21-2006	Item 4 was 025-0000-0431-01 Delete Items 29, 30, 31, 48, 62, 63, 64,
F	DAL	03-25-2011	Redesign for -06 24" long and lift up guard
G	RRS	02-22-2013	Add 40 & 41, Item 19 qty was 4, Item 14 was 15, 15 was 14

Item	Qty	Part Number	Rev	Part Name	PCB Location	Part Length
1	12	013-0000-0118-00		10-24 X 3/8 BHSCS		in.
2	1	018-0000-2659-00	C	Cover, Top-Front ATST		in.
3	8	013-0000-0010-00		4-40 X 3/8 SHCS		in.
4	1	005-2000-0008-00		Resistor - 10 ohm 50w		in.
5	1	018-0000-1526-02	E	Housing Side, Left, ATST HP		in.
6	1	018-0000-1667-03	G	Quick Change Drawbar 1/4-28 thd.		in.
7	2	018-0000-1607-00	C	QUICK CHANGE KNOB		in.
8	2	013-0000-0181-00		8-32 X 1/2 SHCS		in.
9	1	011-3000-0019-00		S200 SERVO MOTOR DRIVE, 6 AMP LIMIT		in.
10	1	018-0000-1660-00	E	Internal Flange Receiver		in.
11	1	018-0000-1525-02	E	Housing Side, Right, ATST HP		in.
12	1	025-0000-0431-10	C	FLASH - Computer Assembly		in.
13	29	013-0000-0128-00		1/4-20 X 3/8 BHSCS		in.
14	1	018-0000-3104-00		Pivot Bracket, Left		in.
15	2	018-0000-3103-01	A	Cover Pivot Bar, High Profile		in.
16	1	013-5000-0238-00		Handle		in.
17	1	018-0000-2657-03	B	Guard, ATST 17 dia x 24" travel		in.
18	18	013-0000-0385-00		5/16-18 x 1/2 BHSCS		in.
19	6	013-3000-0044-00		Bumper, Adhesive Backed		in.
20	2	013-2000-0390-00		Gas Spring		in.
21	4	013-2000-0390-01		Gas Spring ball stud		in.
22	4	013-2000-0390-02		Gas Spring end fitting		in.
23	1	018-0000-3104-01		Pivot Bracket, Right		in.
24	2	013-0000-0534-00		3/8 dia x 1/4 SHSS, Shoulder Screw 5/16-18		in.
25	1	025-0000-0819-03	A	Back Cover, ATST 24 x 17 dia		in.
26	1	018-0000-3246-01	A	ATST, Back Panel Brace, High Profile		in.
27	8	013-0000-0105-00		1/4-20 X 1/2 BHSCS		in.
28	1	025-0000-0633-04	F	Automated TST Standard Tailstock - HP		in.
29	1	018-0000-1606-03	H	Quick Change Rod		in.
30	4	013-2000-0266-00		Linear Bearing Block with 2 hole mount screw from		in.

Approved by: _____

Date: _____

SEE ATTACHED 2 DRAWINGS



025-0000-0336-07 G

Parts List

ATST Standard Main Assembly 24" x 17Ø

Rev	By	Date	Description
D	KMP	06-05-2006	Delete Items 34, 38, 39, 40 (re-number) Change Item 6 11-3-0017-00 was 25-1-0406-02, Item 48 13-0-0015-00 was 13-0-262-00, Item 62 25-1-0540-00 was 13-0-0031-00, Item 63 18-0-2845-00 was 13-0-0103-00, Item 64 13-0-0028-00
E	KMP	08-21-2006	Item 4 was 025-0000-0431-01 Delete Items 29, 30, 31, 48, 62, 63, 64,
F	DAL	03-25-2011	Redesign for -06 24" long and lift up guard
G	RRS	02-22-2013	Add 40 & 41, Item 19 qty was 4, Item 14 was 15, 15 was 14

Item	Qty	Part Number	Rev	Part Name	PCB Location	Part Length
31	8	013-0000-0161-00		8-32 X 5/8 SHCS		in.
32	1	018-0000-2450-00	E	TST Linear Rail Clamp		in.
33	1	013-5000-0131-00		Adjustable Handle 1/4-20 X .78"		in.
34	4	013-0000-0291-00		4-40 X 3/4 SHCS		in.
35	16	013-0000-0188-00		M3-0.5 X 16 mm SHCS		in.
36	49	013-4000-0007-01		Nylatrac Cable and Hose Carrier, ATST 24"		in.
37	2	013-2000-0067-05		24" Linear Bearing Rail (15x760 mm) (ATST x 24")		in.
38	8	013-0000-0154-00		5/16-18 X 1 1/4 SHCS		in.
39	1	018-0000-1527-04	D	Base, ATST 24.0" between plates		in.
40	1	007-0000-0103-00		Safety Shield Switch		in.
41	1	018-0000-3248-06	A	ATST, Back panel vent cover, high profile		in.
42	ref	025-2000-0165-09		Schematic, ATST		in.

Approved by: _____

Date: _____

SEE ATTACHED 2 DRAWINGS



025-0000-0336-08 G

Parts List

ATST Heavy Duty Main Assembly 11.5" x 17Ø

Rev	By	Date	Description
D	KMP	06-05-2006	Delete Items 34, 38, 39, 40 (re-number) Change Item 6 11-3-0017-00 was 25-1-0406-02, Item 48 13-0-0015-00 was 13-0-262-00, Item 62 25-1-0540-00 was 13-0-0031-00, Item 63 18-0-2845-00 was 13-0-0103-00, Item 64 13-0-0028-00
E	KMP	08-21-2006	Item 4 was 025-0000-0431-01 Delete Items 29, 30, 31, 48, 62, 63, 64,
F	DAL	03-25-2011	Redesign for -06 24" long and lift up guard
G	RRS	02-22-2013	Add 40 & 41, Item 19 qty was 4, Item 14 was 15, 15 was 14

Item	Qty	Part Number	Rev	Part Name	PCB Location	Part Length
1	12	013-0000-0118-00		10-24 X 3/8 BHSCS		in.
2	1	018-0000-2659-00	C	Cover, Top-Front ATST		in.
3	8	013-0000-0010-00		4-40 X 3/8 SHCS		in.
4	1	005-2000-0008-00		Resistor - 10 ohm 50w		in.
5	1	018-0000-1526-02	E	Housing Side, Left, ATST HP		in.
6	1	018-0000-1667-03	G	Quick Change Drawbar 1/4-28 thd.		in.
7	2	018-0000-1607-00	C	QUICK CHANGE KNOB		in.
8	2	013-0000-0181-00		8-32 X 1/2 SHCS		in.
9	1	011-3000-0020-00		SERVO MOTOR DRIVE, 12 AMP LIMIT		in.
10	1	018-0000-1660-00	E	Internal Flange Receiver		in.
11	1	018-0000-1525-02	E	Housing Side, Right, ATST HP		in.
12	1	025-0000-0431-10	C	FLASH - Computer Assembly		in.
13	29	013-0000-0128-00		1/4-20 X 3/8 BHSCS		in.
14	1	018-0000-3104-00		Pivot Bracket, Left		in.
15	2	018-0000-3103-01	A	Cover Pivot Bar, High Profile		in.
16	1	013-5000-0238-00		Handle		in.
17	1	018-0000-2657-02	B	Guard, ATST 17 dia x 11.5" travel		in.
18	18	013-0000-0385-00		5/16-18 x 1/2 BHSCS		in.
19	6	013-3000-0044-00		Bumper, Adhesive Backed		in.
20	2	013-2000-0390-00		Gas Spring		in.
21	4	013-2000-0390-01		Gas Spring ball stud		in.
22	4	013-2000-0390-02		Gas Spring end fitting		in.
23	1	018-0000-3104-01		Pivot Bracket, Right		in.
24	2	013-0000-0534-00		3/8 dia x 1/4 SHSS, Shoulder Screw 5/16-18		in.
25	1	025-0000-0819-02	A	Back Cover, ATST 11.5 x 17 dia		in.
26	1	018-0000-3246-01	A	ATST, Back Panel Brace, High Profile		in.
27	8	013-0000-0105-00		1/4-20 X 1/2 BHSCS		in.
28	1	025-0000-0633-05	F	Automated TST Heavy Tailstock - HP		in.
29	1	018-0000-1606-03	H	Quick Change Rod		in.
30	4	013-2000-0266-00		Linear Bearing Block with 2 hole mount screw from		in.

Approved by: _____

Date: _____

SEE ATTACHED 2 DRAWINGS



025-0000-0336-08 G

Parts List

ATST Heavy Duty Main Assembly 11.5" x 17Ø

Rev	By	Date	Description
D	KMP	06-05-2006	Delete Items 34, 38, 39, 40 (re-number) Change Item 6 11-3-0017-00 was 25-1-0406-02, Item 48 13-0-0015-00 was 13-0-262-00, Item 62 25-1-0540-00 was 13-0-0031-00, Item 63 18-0-2845-00 was 13-0-0103-00, Item 64 13-0-0028-00
E	KMP	08-21-2006	Item 4 was 025-0000-0431-01 Delete Items 29, 30, 31, 48, 62, 63, 64,
F	DAL	03-25-2011	Redesign for -06 24" long and lift up guard
G	RRS	02-22-2013	Add 40 & 41, Item 19 qty was 4, Item 14 was 15, 15 was 14

Item	Qty	Part Number	Rev	Part Name	PCB Location	Part Length
31	8	013-0000-0161-00		8-32 X 5/8 SHCS		in.
32	1	018-0000-2450-00	E	TST Linear Rail Clamp		in.
33	1	013-5000-0131-00		Adjustable Handle 1/4-20 X .78"		in.
34	4	013-0000-0291-00		4-40 X 3/4 SHCS		in.
35	16	013-0000-0188-00		M3-0.5 X 16 mm SHCS		in.
36	33	013-4000-0007-00		Nylatrac Cable and Hose Carrier, ATST 11.5"		in.
37	2	013-2000-0067-02		11" Linear Bearing Rail (15x460 mm) (FLASH, TST)		in.
38	8	013-0000-0154-00		5/16-18 X 1 1/4 SHCS		in.
39	1	018-0000-1527-01	D	Base, ATST 11.5" between plates		in.
40	1	007-0000-0103-00		Safety Shield Switch		in.
41	1	018-0000-3248-06	A	ATST, Back panel vent cover, high profile		in.
42	ref	025-2000-0165-09		Schematic, ATST		in.

Approved by: _____

Date: _____

SEE ATTACHED 2 DRAWINGS



Larson Systems Inc.
10073 Baltimore Street NE
Minneapolis, MN 55449-4425
www.larsonsystems.com

763-780-2131
1-877-780-2131
Fax: 763-780-2182
info@larsonsystems.com

