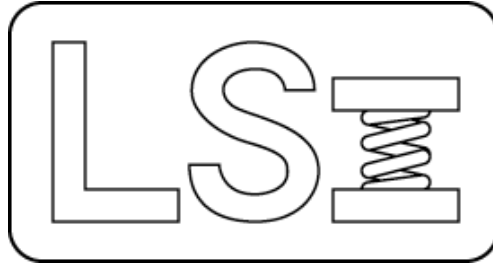


Larson Systems Inc.



SDHT 2000 Wide Body Parts List

050-0000-0137-00

Super Digital Hand Tester – Wide Body





050-0000-0137-00

Parts List

SDHT 2000 - Wide Body 11.5" stroke,

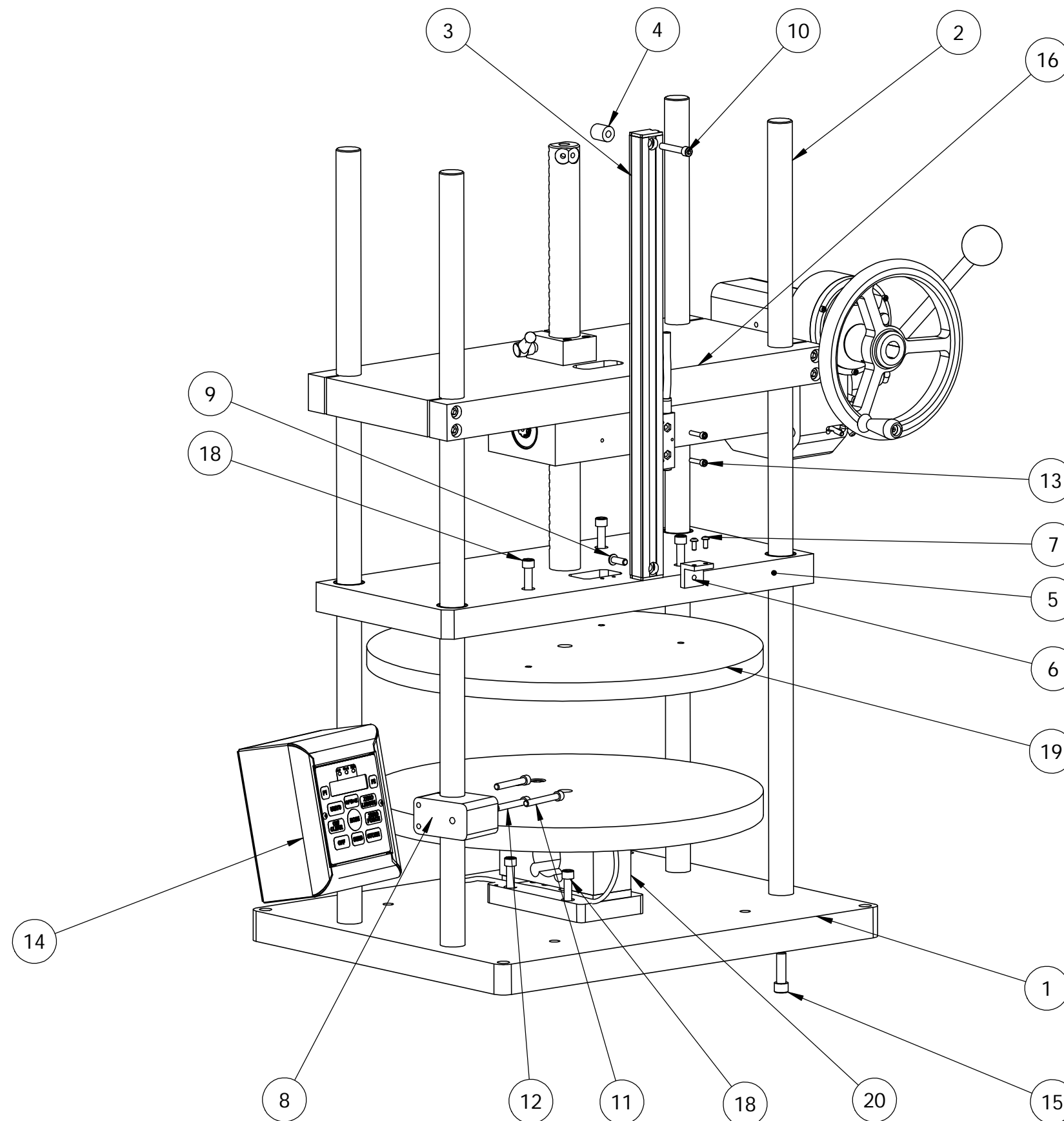
Rev	By	Date	Description
	DAL	12-21-2006	


Item	Qty	Part Number	Rev	Part Name	PCB Location	Part Length
1	1	025-0000-0435-10	A	SDHT 1500 Wide Body Assembly		in.
2	1	050-1000-0005-00	P	SDHT Software 4.25		in.
3	1	060-1000-0034-00	J	User Manual - SDHT / SDHT 2000		in.
4	1	060-2000-0038-00		Parts List - SDHT 2000 lb Wide Body		in.
5	1	059-0000-0043-04	A	Shipping Crate - SDHT 2000, Wide Body		in.

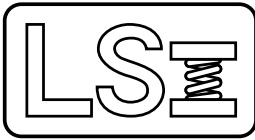
Approved by: 

Date: December 26, 2006

REV	DATE	DESCRIPTION	DRW	APP
		SEE SHEET 2		



UNLESS OTHERWISE SPECIFIED DIMENSIONS ARE IN INCHES TOLERANCES ARE: .XX ± .01 .XXX ± .005	 LARSON SYSTEMS INC. 10073 Baltimore St. NE PH. 763-780-2131 Mpls., MN 55449 FAX. 763-780-2182		
			APPROVALS
MATERIAL -	DRAWN KMP	9/30/04	SDHT 2000 ASSEMBLY 16" PLATFORM
FINISH -	APP.		B DWG. NO. 025-0000-0435-10A
HEAT TREAT	APP.		SCALE: NONE SHEET 1 OF 2



025-0000-0435-10 A

SDHT 1500 Wide Body Assembly

Parts List

Rev	By	Date	Description
	KMP	09-29-2004	
A	KMP	07-12-2007	Change Item 3 was 014-1-0015-01, Item 4 was 018-0-1733-00, Item 6 was 018-0-1991-00, Item 7 was 013-0-0181-00, Item 9 was 013-0-0064-00, Item 10 was 013-0-0031-00 Add Extension Rods Options Item 2. Delete item 17

Item	Qty	Part Number	Rev	Part Name	PCB Location	Part Length
1	1	018-0000-1994-10	A	DHT 1500 and FDHT 1500 Base Plate 16" Platform		in.
2	4	018-0000-1996-00	E	18" Support Rods		in.
2	Opt	018-0000-1996-03	E	24" Support Rods		in.
2	Opt	018-0000-1996-01	E	36" Support Rods		in.
2	Opt	018-0000-1996-02	E	48" Support Rods		in.
2	Opt	018-0000-1996-04	E	60" Support Rods		in.
2	Opt	018-0000-1996-05	E	72" Support Rods		in.
3	Ref	014-1000-0036-00		12" Scale, Std. 150 Resolution (.0005"), Super 2000		in.
4	Ref	018-0000-2916-00		Encoder Top Mount, SDHT 2000		in.
5	1	025-0000-0446-10	A	Gear Rack Assembly - 13" Stroke (0.437" Thru-Hole) 16" Plat.		in.
5	Opt	025-0000-0446-11	A	Gear Rack Assembly - 18" Stroke 16" Platform		in.
5	Opt	025-0000-0446-13	A	Gear Rack Assembly - 18" Stroke (0.437" Thru-Hole) 16" Plat.		in.
5	Opt	025-0000-0446-12	A	Gear Rack Assembly - 24" Stroke 16" Platform		in.
5	Opt	025-0000-0446-14	A	Gear Rack Assembly - 24" Stroke (0.437" Thru-Hole) 16" Plat.		in.
5	Opt	025-0000-0446-15	A	Gear Rack Assembly - 36" Stroke 16" Platform		in.
6	Ref	018-0000-2919-00		Encoder Bottom Mount, Wide Body		in.
7	Ref	013-0000-0012-00		8-32 X 3/8 Button Head Cap Screw		in.
8	1	018-0000-1716-00	G	Upgrade Meter Clamp		in.
9	Ref	013-0000-0282-00		1/4-20 X 3/4 BHSCS		in.
10	Ref	013-0000-0061-00		1/4-20 X 1 1/2 SHCS		in.
11	1	013-0000-0254-00		1/4-20 X 2 SHCS		in.
12	2	013-0000-0099-00		1/4-20 X 1 3/4 SHCS		in.
13	2	013-0000-0156-00		8-32 X 3/4 SHCS		in.
14	1	025-0000-0342-03	A	Super Force Meter SDHT- 2000, SDHT Carlson Upgrade		in.
15	4	013-0000-0100-00		3/8-16 X 1 1/4 SHCS		in.
16	1	025-0000-0434-10	B	Micro Length Adjust Assembly 16" Platform		in.
18	8	013-0000-0154-00		5/16-18 X 1 1/4 SHCS		in.
19	1	018-0000-2038-10		16" Upper Platform SDHT 2000		in.
20	1	025-0000-0433-05		Interchangeable Load Cell - 750 lb (16" Ø Platform)		in.
21	AR	018-0000-0435-02	C	Shim - 0.255 ID, 0.450 OD, 0.0010 thick		in.

ITEMS: 21, 22, AND 23 NOT SHOWN

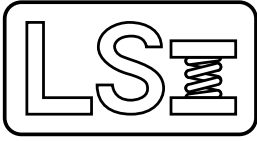
Approved by: 

Date: September 4, 2007

SEE ATTACHED DRAWING

Printed on 09-04-2007, 6:04:28 PM by DAL

Page 2 of 3



025-0000-0435-10 A
SDHT 1500 Wide Body Assembly

Parts List

Rev	By	Date	Description
	KMP	09-29-2004	
A	KMP	07-12-2007	Change Item 3 was 014-1-0015-01, Item 4 was 018-0-1733-00, Item 6 was 018-0-1991-00, Item 7 was 013-0-0181-00, Item 9 was 013-0-0064-00, Item 10 was 013-0-0031-00 Add Extension Rods Options Item 2. Delete item 17

Item	Qty	Part Number	Rev	Part Name	PCB Location	Part Length
22	1	013-2000-0056-00		1/4" FLAT WASHER - ZINC		in.
23	1	025-6000-0006-01		Sticker Assembly - SDHT 1500 Wide Body		in.

ITEMS: 21, 22, AND 23 NOT SHOWN

Approved by: 

Date: September 4, 2007

SEE ATTACHED DRAWING



Larson Systems Inc.
10073 Baltimore Street NE
Minneapolis, MN 55449-4425
www.larsonsystems.com

763-780-2131
1-877-780-2131
Fax: 763-780-2182
info@larsonsystems.com

