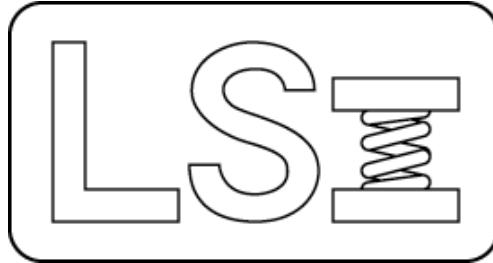


# *Larson Systems Inc.*



## *FDHT Parts List*

*050-0000-0048-00*

*Force Digital Hand Tester – 750 lb*





**050-0000-0048-00 H**  
FDHT - 750 lb

# Parts List

Rev	By	Date	Description
E	SMH		025-1000-280-01 WAS 009-0000-011, DOCUMENT IS NOW ON EXCEL, REM'D PRINTERS FROM OPTIONS
F	MDL	11-04-2002	025-0000-0167-01 was 025-0000-0167-00, added 060-2000-0016-02 and 025-6000-0003-00, cleared options
G	DAL	11-25-2002	60-1000-25-00 was 60-1000-34-00
H	MDL	07-14-2004	Changed 025-1000-0280-01 to 025-1000-0396-00 and referenced it instead of calling quantity.

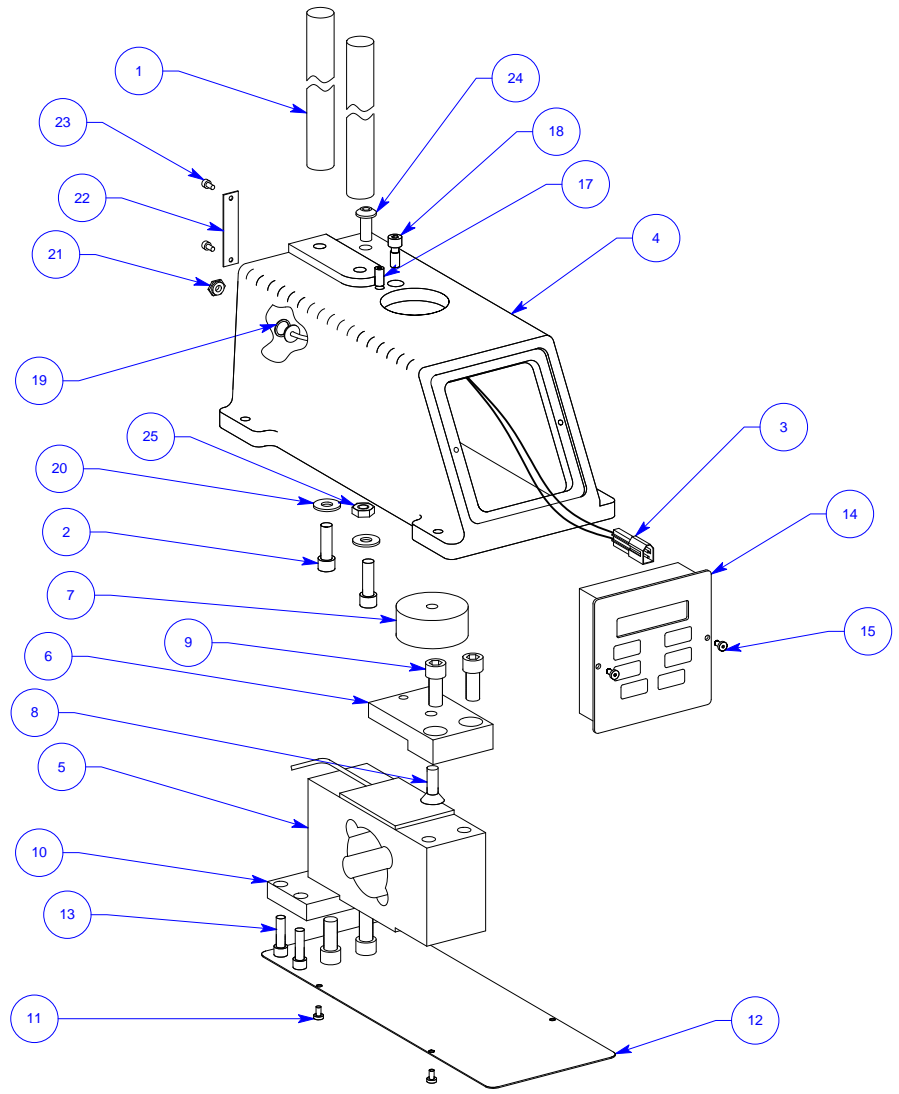
Item	Qty	Part Number	Rev	Part Name	PCB Location	Part Length
1	ref	025-1000-0396-00		Power Supply, 100-240 VAC 50-60 Hz (USA Plug)		in.
2	1	025-0000-0167-01	C	Lower Assembly FDHT 750 lb		in.
3	1	025-0000-0185-04	E	Upper Assembly 7" FDHT		in.
4	1	060-1000-0025-00	K	User Manual - ECT / CDHT / FDHT / DHT / CST		in.
5	1	060-0000-0074-00	A	Tester Packet Forms		in.
6	1	059-0000-0016-00	E	Hand Tester Shipping Box & Materials		in.
7	1	060-2000-0016-02		Parts List - FDHT 750 lb		in.
8	1	025-6000-0003-00	A	Sticker Assembly - FDHT		in.

Refer to actual order form to determine power supply.

Approved by: 

Date: July 19, 2004

REV	DATE	DESCRIPTION	DRW	APPR
		SEE SHEET 2		



Item	Qty	Description	LSI P/N
<b>LARSON SYSTEMS INC.</b>			
SCALE: NONE		TOLERANCE: .XX +/- .01	DRW. BY: SMH
DATE: 10/30/02		.XXX +/- .005	APPR. BY:
TITLE: <b>FDHT 750 lbs, LOWER ASSEMBLY</b>			
MATERIAL:		SHEET 1 OF 2	DRAWING NUMBER
FINISH:		<b>B</b>	<b>025-0000-0167-01C</b>



# 025-0000-0167-01 C

## Lower Assembly FDHT 750 lb

# Parts List

Rev	By	Date	Description
	SMH	10-30-2002	
A	SMH	12-05-2002	#21 was Reference, #21 18-0-2160 was 18-0-1301, #19 13-2-241 was 12-2-4, #7 18-0-905 was 18-0-1101, #6 18-0-003 2 was 18-0-1100. Drawing was 1 sheet is 2 sheets. Removed #16 #14 25-0-313-00 was 25-0-482-00 #23 13-0
B	DAL	07-20-2004	025-0000-0482-01 was 025-0000-0313-02
C	RRS	09-13-2013	Item 14 was 025-0000-0482-01, is 025-0000-0482-00

Item	Qty	Part Number	Rev	Part Name	PCB Location	Part Length
1	2	018-0000-0907-03	N	23.200" Support Rods (18" Range)		in.
2	2	013-0000-0154-00		5/16-18 X 1 1/4 SHCS		in.
3	1	025-1000-0251-00	G	Internal Power Cable (025-1000-0396-XX power		in.
4	1	018-0000-0871-02	Y	DHT Base - Blue		in.
5	1	025-1000-0172-03	Q	750 lb Load Cell Assembly		in.
6	1	018-0000-0903-02	C	Lower Platform Mounting Plate (DHT)		in.
7	1	018-0000-0905-00	C	2" DIA Lower Platform		in.
8	1	013-0000-0053-00		5/16-18 X 3/4 Flat Head Cap Screw		in.
9	4	013-0000-0205-00		3/8-24 X 7/8 SHCS		in.
9		013-0000-0206-00		M10-1.5 X 22 mm SHCS		in.
10	1	018-0000-0902-02	D	Load Cell Mounting Plate (DHT)		in.
11	4	013-0000-0195-00		6-32 X 1/4 Phillips Pan Machine Screw		in.
12	1	018-0000-0877-00	E	Base Bottom Cover		in.
13	4	013-0000-0149-00		1/4-28 X 7/8" SHCS		in.
14	1	025-0000-0482-00	M	FP Assy, 2 Line Display (force/length)(6.9-15.8 mv		in.
15	2	013-0000-0077-00		6-32 X 1/4 BHCS		in.
17	1	013-0000-0194-00		1/4-28 X 1/2 SSS FLAT POINT		in.
18	1	018-0000-1302-00	A	Compression Overload Stops		in.
19	ref	013-2000-0241-00		Hard Fiber Washer, 5/16" ID x 9/16" OD x 1/64" Thick		in.
20	2	018-0000-1514-00		WASHER .320 I.D. X .625 O.D.		in.
21	1	018-0000-2160-00	A	Power Jack Nut / Insulator		in.
22	1	018-0000-2014-00		25 PIN COVER PLATE		in.
23	2	013-0000-0178-00		4-40 X 1/4 SHCS		in.
24	1	013-0000-0114-00		5/16-18 X 3/4 BHSCS		in.
25	1	013-0000-0111-00		5/16-18 Hex Nut		in.

Approved by: *Dal & Zam*

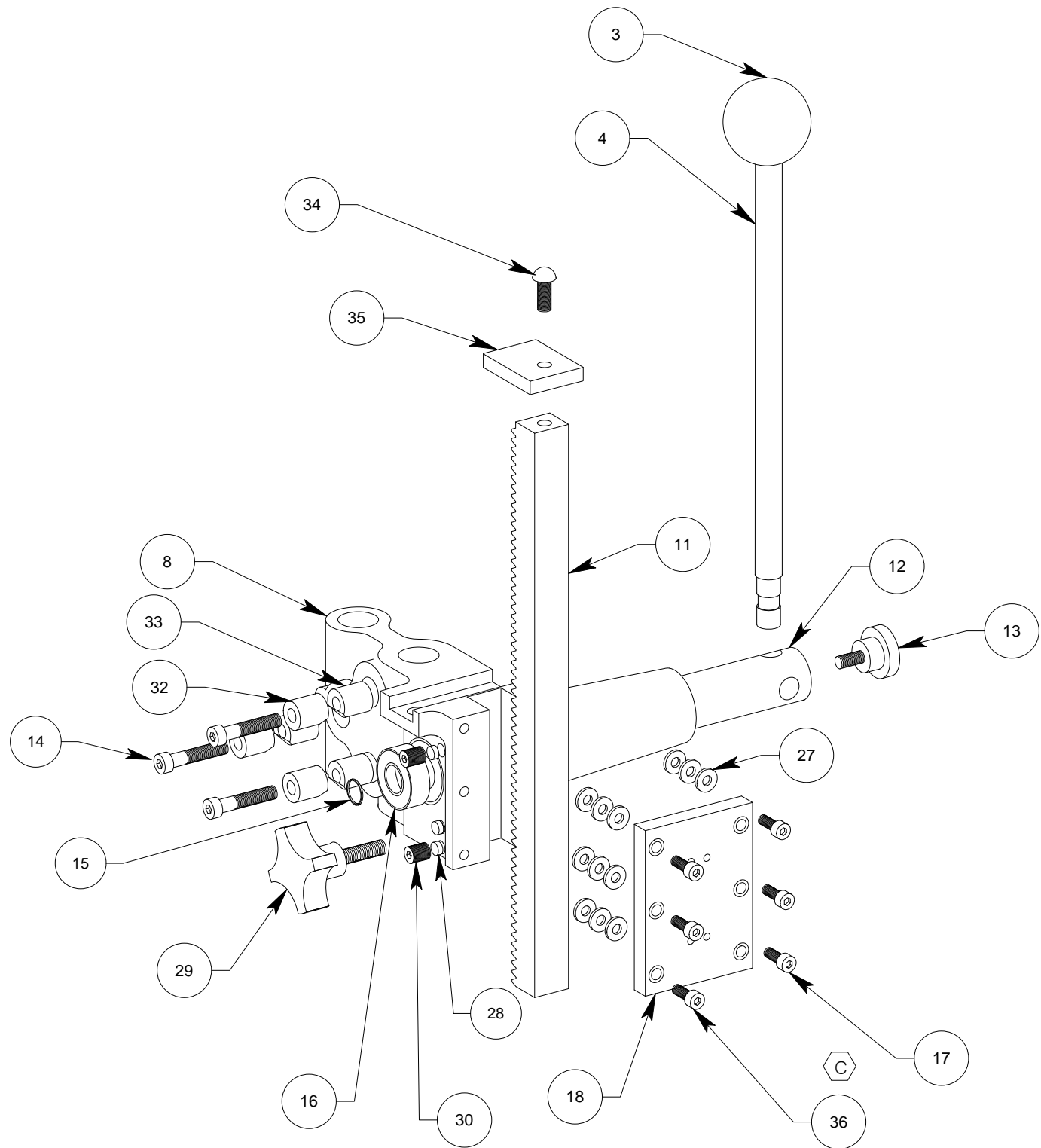
Date: September 17, 2013

**SEE ATTACHED DRAWING**

Printed on 09-17-2013, 8:53:14 AM by DAL

Page 2 of 2

ITEM	DATE	DESCRIPTION	DRW	APPR
		See Filemaker		



<b>LARSON SYSTEMS INC.</b>		
SCALE: FULL	TOLERANCE: .XX+/- .01 .XXX +/- .005	DRW BY: DD
DATE: 8/16/95		APPR BY:
TITLE: UPPER ASSEMBLY OF FORCE DHT (7IN.)		
MATERIAL:	DRAWING NUMBER	
FINISH:	SHEET 1 OF 2 B	025-0000-185-04E



025-0000-0185-04 E

# Parts List

Upper Assembly 7" FDHT

Rev	By	Date	Description
B	DD	10-01-1995	Add Nylock to #30 5/16-18 x 3/8 SSS
C	DD	03-01-1997	#17 was Qty 6 is 5, added #36 13-0-192
D	SGS	09-11-2008	Item #13 was 013-5000-0056-00,Item#29 was 013-5000-0049-00,Item #36 Qty was 1
E	DAL	11-01-2012	#14 was 013-0000-0098-00 is 013-0000-0065-00

Item	Qty	Part Number	Rev	Part Name	PCB Location	Part Length
3	1	013-5000-0029-00		Phoenolic Ball Knob		in.
4	1	018-0000-0901-01	C	Handle - 7.84" (22, 66, 110, 200 lb Hand Tester)		in.
4	ref	018-0000-0901-02	C	Handle - 9.84" (750, 2000 lb Hand Tester)		in.
8	1	018-0000-0872-02	K	Rack Housing, Hand Tester		in.
11	1	018-0000-1296-00	A	Upper Platform Mounting Plate FDHT		in.
12	1	018-0000-0876-00	A	Stem Pinion		in.
13	1	018-0000-2214-00	A	Handle Lock, 1/4-20		in.
14	3	013-0000-0065-00		1/4-20 X 1 1/4 SHCS		in.
15	1	013-2000-0086-00		Snap Ring, 5100-46-PP		in.
16	1	013-2000-0080-00		Bearing, Hand Tester Housing		in.
17	4	013-0000-0196-00		10-32 X 1/2 SHCS		in.
18	1	018-0000-0873-00	G	SDHT Caliper Mounting Plate		in.
27	ar	018-0000-0435-01	C	Shim - 0.195 ID, 0.450 OD, 0.0010 thick		in.
28	3	018-0000-1036-00	A	Brass Wear Pad		in.
29	1	018-0000-2221-00	A	Rack Lock, 5/16-18		in.
30	1	013-0000-0243-00		5/16-18 X 3/8 SSS with Nylon Lock		in.
32	3	018-0000-1042-00	A	Locking Clamp #1 (Hand Tester)		in.
33	3	018-0000-1043-00	B	Locking Clamp #2 (Hand Tester)		in.
34	1	013-0000-0093-00		1/4-20 X 5/8 BHSCS		in.
35	1	018-0000-1295-00		TRAVEL LIMIT STOP/FDHT		in.
36	2	013-0000-0192-00		10-32 X 3/8 SHCS		in.

Approved by:

Date:

November 1, 2012

**SEE ATTACHED DRAWING**

Printed on 11-01-2012, 5:44:57 PM by DAL

Page 2 of 2



**Larson Systems Inc.**  
10073 Baltimore Street NE  
Minneapolis, MN 55449-4425  
[www.larsonsystems.com](http://www.larsonsystems.com)

763-780-2131  
1-877-780-2131  
Fax: 763-780-2182  
[info@larsonsystems.com](mailto:info@larsonsystems.com)

