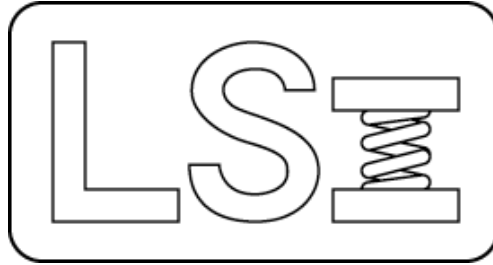


Larson Systems Inc.



FDHT 1500 Parts List

050-0000-0101-02

Force Digital Hand Tester





050-0000-0101-02 B

Parts List

FDHT 1500 - 750 lb Capacity, Lever Operated

Rev	By	Date	Description
	DAL	02-04-2004	
A	MDL	09-24-2004	Added sticker assembly.
B	DAL	09-07-2007	060-1000-0025-00 was 060-1000-0080-00

Item	Qty	Part Number	Rev	Part Name	PCB Location	Part Length
1	1	025-0000-0435-01		FDHT 1500 Assembly		in.
2	1	025-0000-0342-05	B	Force Meter FDHT 1500		in.
3	1	050-1000-0010-00	Q	DHT Software Version 7.1		in.
4	1	060-1000-0025-00	K	User Manual - ECT / CDHT / FDHT / DHT / CST		in.
5	1	060-2000-0028-00		Parts List - FDHT 1500		in.
6	1	059-0000-0043-00	A	Shipping Crate - SDHT 2000 / CST, 18" range rods		in.
6		059-0000-0043-01	A	Shipping Crate - SDHT 2000, 24" range rods		in.
6		059-0000-0043-02	A	Shipping Crate - SDHT 2000, 36" range rods		in.
6		059-0000-0043-03	A	Shipping Crate - SDHT 2000, 48" range rods		in.
7	1	025-6000-0027-00		Sticker Assembly - FDHT 1500		in.

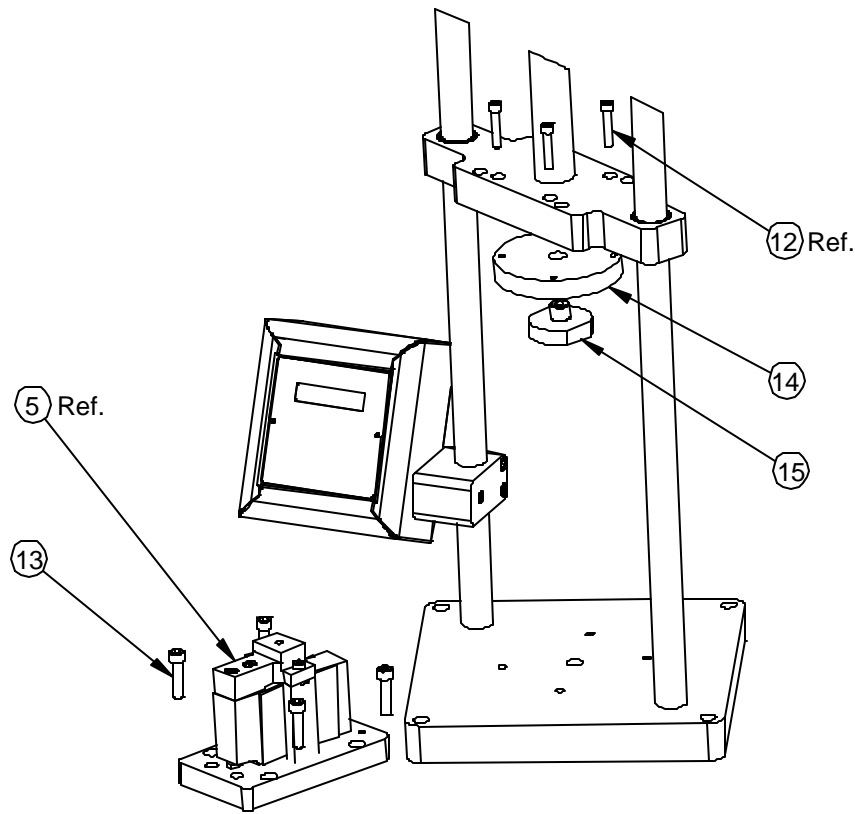
Approved by: 

Date: September 7, 2007

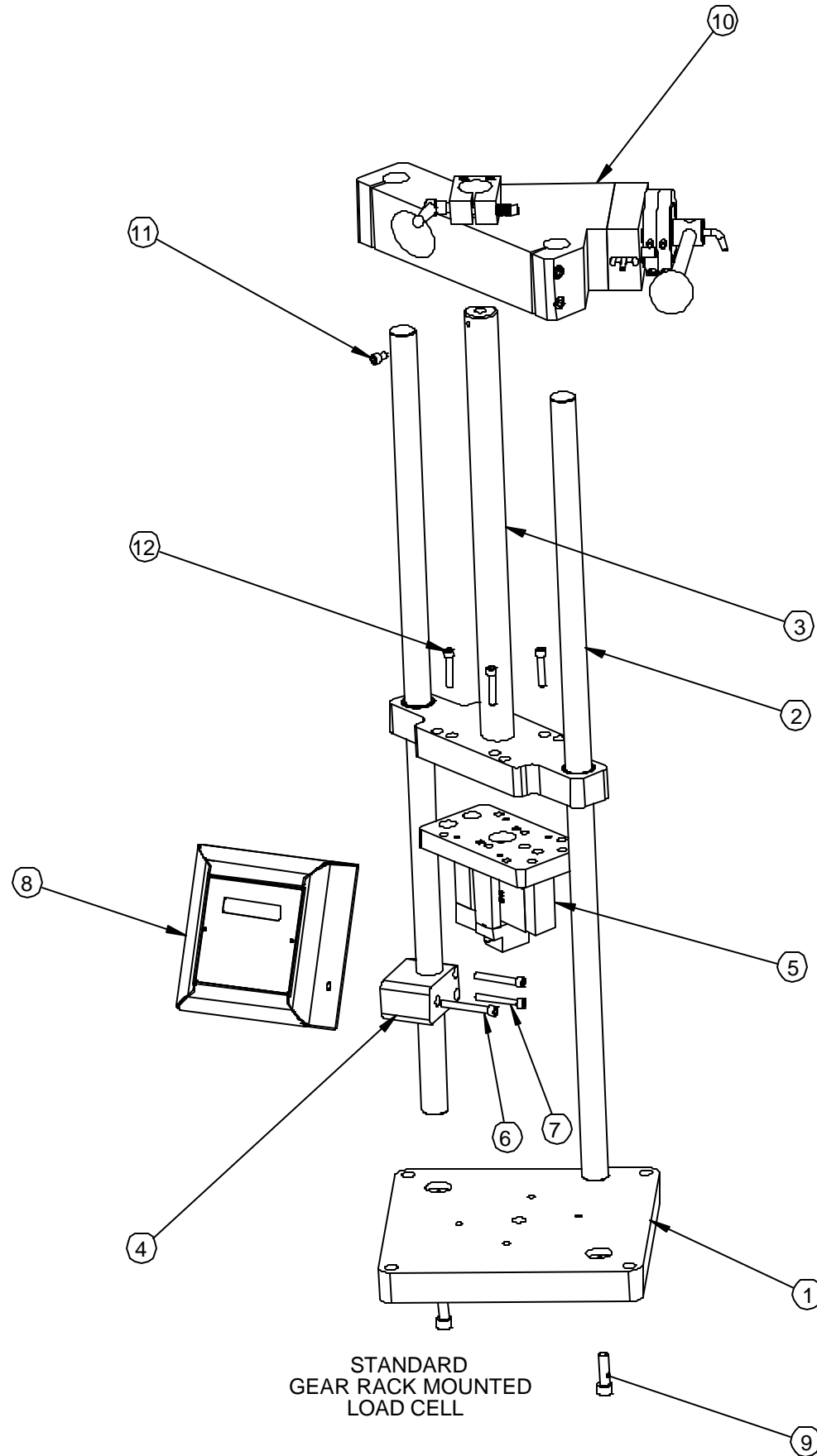
Options with the Lever Operated Assembly and the Micro Adjust Assembly				
Platform Dia.	ITEM 14	Load Cell Cap.	ITEM 5	Adpter ITEM 15
4"	018-0000-2028	2 lb	025-0000-394-11	018-0000-2029-00
4"	018-0000-2028	11 lb	025-0000-394-12	018-0000-2029-00
4"	018-0000-2028	22 lb	025-0000-394-13	018-0000-2029-00
4"	018-0000-2028	66 lb	025-0000-394-14	018-0000-2029-00
4"	018-0000-2028	110 lb	025-0000-394-15	018-0000-2029-00
4"	018-0000-2028	200 lb	025-0000-394-16	018-0000-2029-00
6"	018-0000-2038	750 lb	025-0000-433-10	NONE
<u>Optional with the Micro Adjust Assembly Only</u>				
6"	018-0000-2038	1500 lb	025-0000-433-11	NONE

Item 3	Stroke Length	Thru Hole Dia.
025-0000-0446-00	13 Inch (Standard)	Ø.437
025-0000-0446-01	18 Inch	NONE
025-0000-0446-02	24 Inch	NONE

Extended Range Rod	Item 2
Standard 18 Inch	018-0000-1996-00
36 Inch	018-0000-1996-01
48 Inch	018-0000-1996-02
24 Inch	018-0000-1996-03

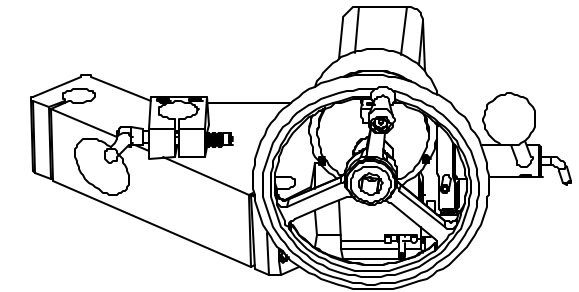


FACTORY OPTION
LOWER MOUNTED
LOAD CELL
025-0000-0659-00



STANDARD
GEAR RACK MOUNTED
LOAD CELL

REV	DATE	DESCRIPTION	DRW	APP



Item 10 025-0000-0434-00
Micro Adjust Assembly

UNLESS OTHERWISE SPECIFIED
DIMENSIONS ARE IN INCHES
TOLERANCES ARE:

.XX ± .01
.XXX ± .005

MATERIAL

FINISH

HEAT TREAT



LARSON SYSTEMS INC.

10073 Baltimore St. NE PH. 763-780-2131
Mpls., MN 55449 FAX. 763-780-2182

APPROVALS

DATE

DRAWN KMP 3/16/04

APP.

APP.

FDHT 1500 ASSEMBLY

B DWG. NO. 025-0000-0435-01

SCALE: NONE

SHEET 1 OF 2



025-0000-0435-01

FDHT 1500 Assembly

Parts List

Rev	By	Date	Description
	KMP	03-05-2004	

Item	Qty	Part Number	Rev	Part Name	PCB Location	Part Length
1	1	018-0000-1994-01		DHT 1500 and FDHT 1500 Base Plate		in.
2	2	018-0000-1996-00	E	18" Support Rods, SDHT 2000		in.
2	Opt	018-0000-1996-01	E	36" Support Rods, SDHT 2000		in.
2	Opt	018-0000-1996-02	E	48" Support Rods, SDHT 2000		in.
2	Opt	018-0000-1996-03	E	24" Support Rods, SDHT 2000		in.
2	Opt	018-0000-1996-04	E	60" Support Rods, SDHT 2000		in.
2	Opt	018-0000-1996-05	E	72" Support Rods, SDHT 2000		in.
3	1	025-0000-0446-00	D	SDHT 2000 Gear Rack Assembly, 13" stroke /w thru hole		in.
3	Opt	025-0000-0446-01	D	SDHT 2000 Gear Rack Assembly 18" stroke		in.
3	Opt	025-0000-0446-02	D	SDHT 2000 Gear Rack Assembly 24" stroke		in.
3	Opt	025-0000-0446-05	D	SDHT 2000 Gear Rack Assembly 36" stroke		in.
4	1	018-0000-1716-00	E	Upgrade Meter Clamp		in.
5	Opt	025-0000-0394-21		Load Cell - 2 lb		in.
5	Opt	025-0000-0394-22		Load Cell - 11 lb		in.
5	Opt	025-0000-0394-23		Load Cell - 22 lb		in.
5	Opt	025-0000-0394-24		Load Cell - 66 lb		in.
5	Opt	025-0000-0394-25		Load Cell - 110 lb		in.
5	Opt	025-0000-0394-26		Load Cell - 200 lb		in.
5	Opt	025-0000-0433-10		Load Cell - 750 lb (6" Ø platform) DHT 1500		in.
5	Opt	025-0000-0433-11		Load Cell - 1,500 lb (6" Ø platform) DHT 1500		in.
6	1	013-0000-0254-00		1/4-20 X 2 SHCS		in.
7	4	013-0000-0099-00		1/4-20 X 1 3/4 SHCS		in.
8	Ref	025-0000-0342-05		Force Meter FDHT 1500		in.
9	2	013-0000-0100-00		3/8-16 X 1 1/4 SHCS		in.
10	1	025-0000-0434-01	A	Lever Operated Assembly SDHT 2000 - 750		in.
10	Opt	025-0000-0434-00	G	Micro Adjust Assembly 2000 lb capacity		in.
11	1	013-0000-0323-00		1/4-20 X 3/8 SHCS		in.
12	4	013-0000-0065-00		1/4-20 X 1 1/4 SHCS		in.
13	4	013-0000-0154-00		5/16-18 X 1 1/4 SHCS		in.
14	Ch	018-0000-2028-00		4" Platform		in.

ITEMS 16,17,18,19,20 Not Shown

Approved by:

Date:

April 12, 2004

SEE ATTACHED DRAWING



025-0000-0435-01

FDHT 1500 Assembly

Parts List

Rev	By	Date	Description
	KMP	03-05-2004	

Item	Qty	Part Number	Rev	Part Name	PCB Location	Part Length
14	Cht	018-0000-2038-00	A	6" Upper Platform SDHT 2000		in.
15	Cht	018-0000-2029-00	B	2" Platform, 5/8-18 to 5/16-18 Adapter		in.
16	AR	018-0000-0435-02	C	.255 od ship .001thick		in.
17	1	018-0000-1253-00		Threaded Cable Connector,dht		in.
18	1	018-0000-1627-00		FLEXIBLE CONDUIT FITTING (SHEET METAL)		in.
19	1	013-2000-0056-00		1/4" FLAT WASHER - ZINC		in.
20	1	025-6000-0006-00	B	Sticker Assembly - SDHT 2000		in.

ITEMS 16,17,18,19,20 Not Shown

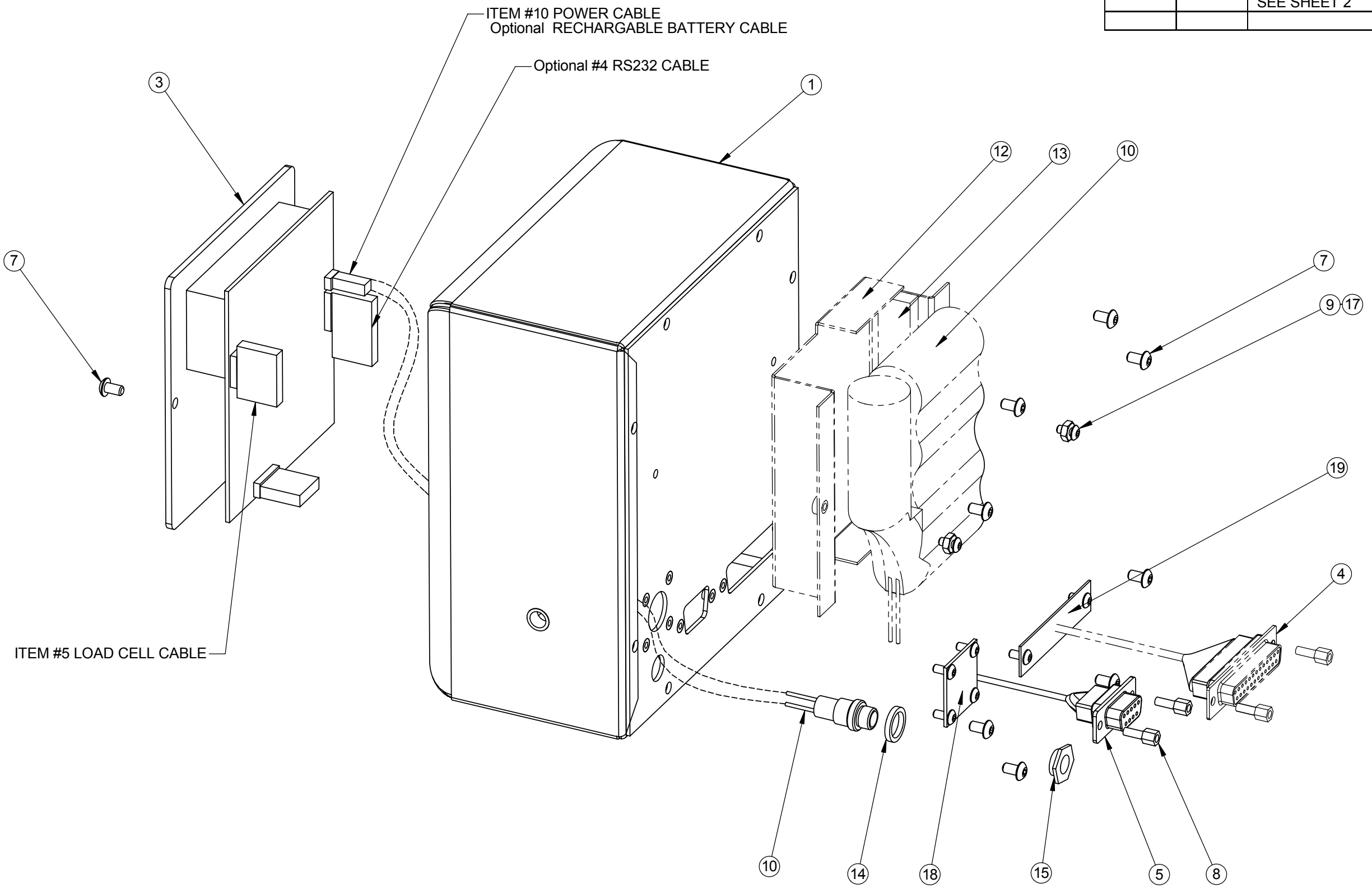
Approved by:

Date:


April 12, 2004

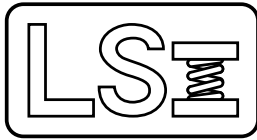
SEE ATTACHED DRAWING

REV	DATE	DESCRIPTION	DRW	APP
		SEE SHEET 2		



1. Assemble #14, Power Jack Spacer / Insulator on #10, Power Cable Connector or (optional) Battery Connector, than insert thru #2 Cover and tighten with #15 Power Jack Nut.
2. Assemble #5, Load Cell Cable and (optional), #4 MTT RS 232 Cable with #8 Female Screw Locks to the #2, Cover.
3. Optional Battery, assemble Foam Tape on the inside of Battery Retainer along one side and one end. assemble Battery Retainer and Rechargeable Battery to #2 Cover with (2) #9 4-40 X 1/4 BHSCS.
4. Mount #18 Encoder Cover, and #19 25 Pin Cover with #9 4-40 X 1/4 BHSCS to the #2 Cover
5. Mount #2, Cover To the bottom of #1, Enclosure Force Meter with #7 6-32 X 1/4 BHSCS.
6. Install #5, Load Cell Cable, (optional) #4 MTT RS 232 Cable and #6 Power Battery cable or (optional) Battery Connector to #3, Front Panel Assembly.
Then set # 1 Front Panel in place and screw (2) #7 6-32 X 1/4 BHSCS

UNLESS OTHERWISE SPECIFIED DIMENSIONS ARE IN INCHES TOLERANCES ARE: .XX ± .01 .XXX ± .005	 LARSON SYSTEMS INC. 10073 Baltimore St. NE PH. 763-780-2131 Mpls., MN 55449 FAX. 763-780-2182		
			APPROVALS
MATERIAL -	DRAWN KMP	4/2/04	FORCE METER FDHT 1500
FINISH -	APP.		B DWG. NO. 025-0000-0342-05B
HEAT TREAT	APP.		SCALE: NONE SHEET 1 OF 2



025-0000-0342-05 B

Parts List

Force Meter FDHT 1500

Rev	By	Date	Description
	KMP	03-16-2004	
A	DAL	03-02-2007	025-0000-482-00 was 025-0000-0313-00
B	DAL	09-07-2007	Delete 060-1000-0080-00

Item	Qty	Part Number	Rev	Part Name	PCB Location	Part Length
1	1	018-3000-0018-00		Enclosure, Force Meter		in.
2	1	018-3000-0019-00	A	Cover, Force Meter		in.
3	1	025-0000-0482-00	F	Front Panel Assembly, 2 Line Display (2mv Strain Gage)		in.
3		025-0000-0482-01	F	Front Panel Assembly, 2 Line Display (2.7 mv Strain Gage) (750 lb)		in.
4	Opt	025-1000-0261-00	D	Internal RS232 Cable, DHT, CDHT, FDHT, ECT		in.
5	1	025-1000-0493-00		Internal Load Cell Cable DHT 1500, FDHT 1500		in.
7	10	013-0000-0077-00		6-32 X 1/4 Button Head Cap Screw		in.
8	4	013-1000-0010-00		Female Screw Lock		in.
9	8	013-0000-0020-00		4-40 X 1/4 Button Head Cap Screw		in.
10	Opt	025-1000-0491-00		Rechargeable Battery, 6V Kit		in.
11		025-1000-0396-00		Power Supply, 100-240 VAC 50-60 Hz (USA Plug)		in.
11		025-1000-0396-01		Power Supply, 100-240 VAC 50-60 Hz (UK Plug)		in.
11		025-1000-0396-02		Power Supply, 100-240 VAC 50-60 Hz (Australia, New Zealand,		in.
11		025-1000-0396-03		Power Supply, 100-240 VAC 50-60 Hz (Euro Plug)		in.
11		025-1000-0306-02	D	Power Supply, 220 V / 50 Hz, South Africa / India		in.
12	Opt	018-0000-1831-00	B	Battery Retainer for SFM		in.
13	Opt	013-7000-0007-00		White Foam Tape 3.5' X .5" X .25"		in.
14	1	018-0000-1635-00		Power Jack Spacer / Insulator		in.
15	1	018-0000-2160-00	A	Power Jack Nut / Insulator		in.
17	2	013-0000-0004-00		4-40 Hex Nut		in.
18	1	018-0000-2644-00		Encoder Cover, FDHT 1500 Force Meter Enclosure		in.
19	1	018-0000-2014-00		25 PIN COVER PLATE		in.

Approved by:

Date:

September 7, 2007

SEE ATTACHED DRAWING



Larson Systems Inc.
10073 Baltimore Street NE
Minneapolis, MN 55449-4425
www.larsonsystems.com

763-780-2131
1-877-780-2131
Fax: 763-780-2182
info@larsonsystems.com

