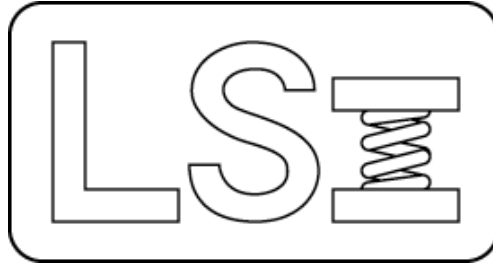


# *Larson Systems Inc.*



## *Super Presetter Parts List*

*050-0000-0117-00 – 110 lb, 2" Stroke, 9" Range*

*050-0000-0117-01 – 200 lb, 2" Stroke, 9" Range*

*050-0000-0117-02 – 200 lb, 2" Stroke, 6" Range*





# 050-0000-0117-00 A

# Parts List

Super Presetter, 110 lb Capacity, 2" Stroke, 9" Range

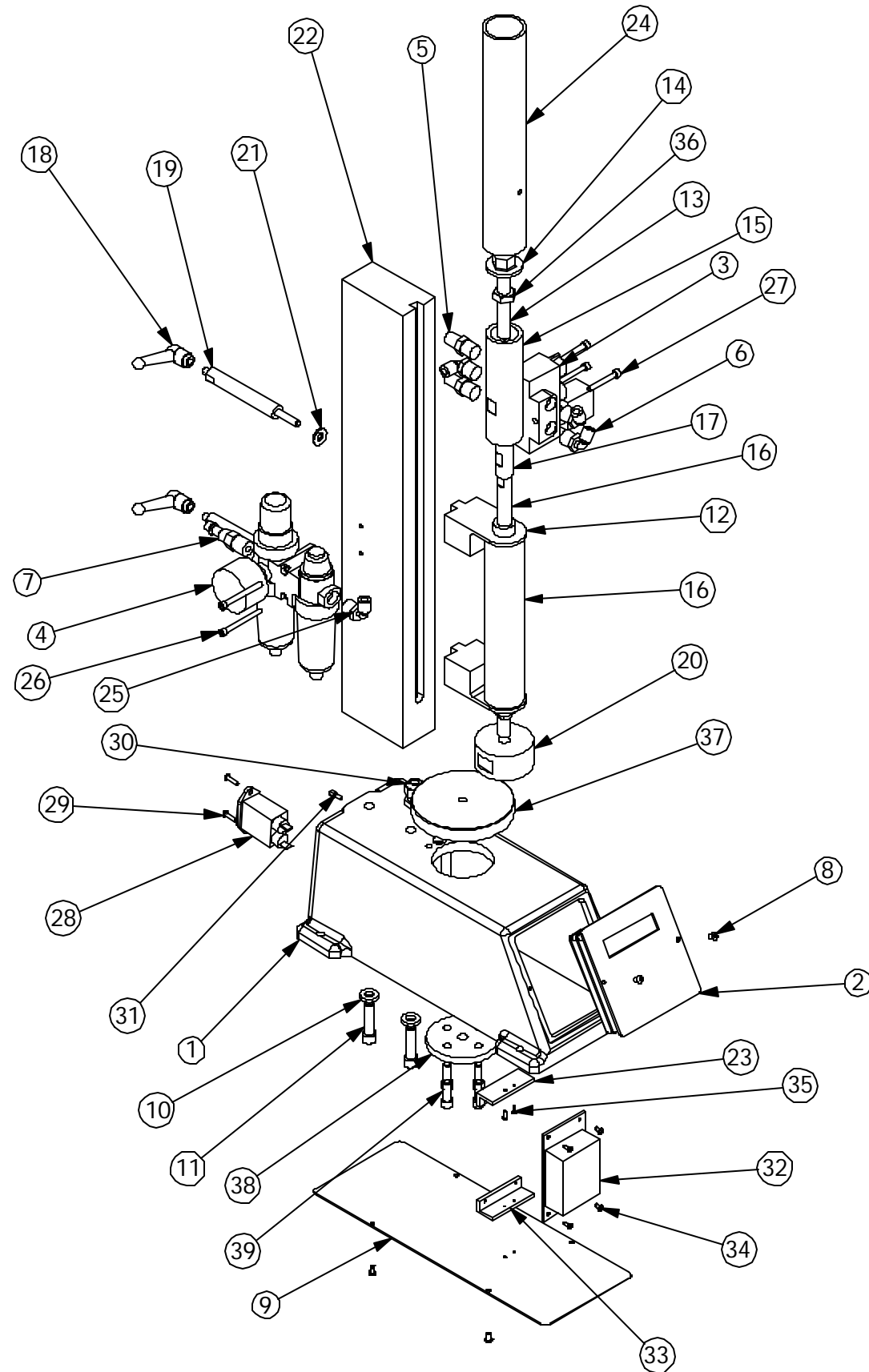
Rev	By	Date	Description
	DAL	10-13-2003	
A	DAL	11-05-2003	Add 025-1000-0483-00, 060-4000-0162-00, 050-1000-0005-00

Item	Qty	Part Number	Rev	Part Name	PCB Location	Part Length
1	1	025-6000-0018-00		Sticker Assembly - Super Presetter		in.
2	1	025-0000-0524-00		Super Presetter Assembly		in.
3	1	060-2000-0022-00		Parts List - Super Presetter		in.
4	1	060-1000-0054-00	B	User Manual - Super Presetter		in.
5	1	025-1000-0483-00		Zero Force Jumper, Super Presetter		in.
6	1	050-1000-0005-00	P	SDHT Software 4.25		in.
7	Ref	060-4000-0162-00	A	TEST: Initial Setup and Test of Super Presetter		in.

Approved by: 

Date: November 5, 2003

REV.	DATE	DESCRIPTION	DRW	APPROVED



43	1	025-1000-0365-01	RS232 Cable (NOT SHOWN)
42	2	019-0000-0111-00	Flow Control (NOT SHOWN)
41	AR	019-0000-0018-00	1/4" Air Line (NOT SHOWN)
40	1	010-2000-0001-00	Power Cable (NOT SHOWN)
39	4	013-0000-0032-00	1/4-20 X 3/4 SHCS
38	1	018-0000-2434-00	Preset Platform Clamp
37	1	018-0000-2433-00	Preset Platform
36	1	013-0000-0288-00	7/16-20 Jam Nut
35	4	013-0000-0249-00	2-56 X 1/4 PHMS
34	4	013-0000-0020-00	4-40 X 1/4 BHSCS
33	1	018-0000-2430-00	Power Supply Mount
32	1	025-1000-0376-00	Power Supply Assembly
31	2	013-1000-0010-00	Female Screw Lock
30	1	013-3000-0022-00	Cord Grip Fitting
29	2	013-0000-0018-00	4-40 X 1/2 BHSCS
28	1	007-0000-0089-00	Power Entry
27	3	013-0000-0092-00	8-32 X 1 1/4 SHCS
26	2	013-0000-0306-00	8-32 X 1 3/4 SHCS
25	1	019-0000-0008-00	1/8 NPT to 1/4 Air Line Elbow
24	1	018-0000-2334-03	Safety Shield, 2" Stroke
23	1	018-0000-2428-00	Power Supply Mount
22	1	018-0000-1745-03	Preset Station Stand
21	2	013-2000-0056	1/4 Washer
20	1	018-0000-1747-01	2" Platform
19	2	018-0000-1978-01	Adj. Handle Standoff
18	2	013-5000-122	Adjustable Handle
17	1	018-0000-1749	Coupling Nut
16	1	019-0000-110	Air Cylinder
15	1	018-0000-1748	Preset Station Stop Block
14	1	018-0000-2331	Adjustable Stop Nut
13	1	018-0000-1750	Threaded Rod
12	2	018-0000-1746-02	Cylinder Mounting Bracket
11	2	013-0000-0154-00	5/16-18 X 1 1/4 SHCS
10	2	018-0000-1514	Ø.625 Washer
9	1	018-0000-877	Base Bottom Cover
8	6	013-0000-0077-00	6-32 X 1/4 BHSCS
7	1	009-0000-0004-00	1/4 NPT Inlet Nipple
6	3	019-0000-0009-00	1/8 NPT to 1/4 Air Line Elbow
5	2	019-0000-0121-00	1/8 NPT Breather Vent
4	1	019-0000-0003-00	Filter and Regulator
3	1	019-0000-0073-00	Pneumatic Valve
2	1	025-0000-0284-00	Front Panel Assembly
1	1	018-0000-2427-00	Lower Casting
ITEM NO.	QTY.	PART NO.	DESCRIPTION

UNLESS OTHERWISE SPECIFIED  
DIMENSIONS ARE IN INCHES  
TOLERANCES ARE:  
.XX ± .01  
.XXX ± .005



**LARSON SYSTEMS INC.**

10073 Baltimore St. NE PH. 763-780-2131  
Mpls., MN 55449 FAX. 763-780-2182

MATERIAL

FINISH

HEAT TREAT

APPROVALS

DRAWN SMH

DATE 9/20/02

APPR.

APPR.

APPR.

SDHT Preset Assembly

DWG. NO.  
B 025-0000-0524-00

SCALE: NONE

SHEET 1 OF 1



050-0000-0117-01

# Parts List

Super Presetter, 200 lb Capacity, 2" Stroke, 9" Range

Rev	By	Date	Description
	DAL	10-10-2003	

Item	Qty	Part Number	Rev	Part Name	PCB Location	Part Length
1	1	025-6000-0018-00		Sticker Assembly - Super Presetter		in.
2	1	060-1000-0054-00	B	User Manual - Super Presetter		in.

Approved by: \_\_\_\_\_

Date: \_\_\_\_\_



050-0000-0117-02

# Parts List

Super Presetter, 200 lb Capacity, 2" Stroke, 6" Range

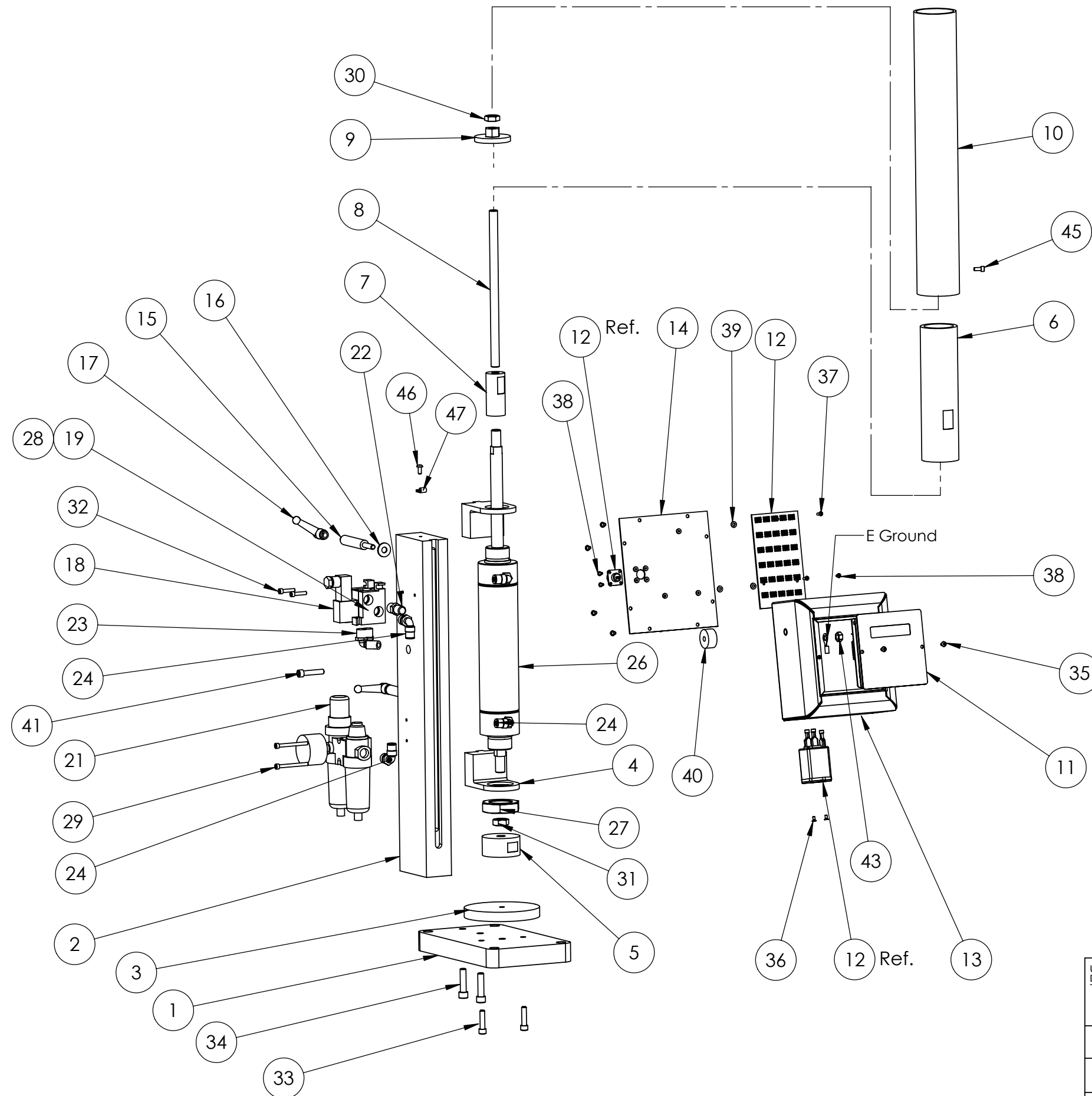
Rev	By	Date	Description
	KMP	12-28-2007	


Item	Qty	Part Number	Rev	Part Name	PCB Location	Part Length
1	1	025-6000-0018-00		Sticker Assembly - Super Presetter		in.
2	1	025-0000-0734-00	A	Super Presetter (Base, Control Electronics &		in.
3	1	060-2000-0022-00		Parts List - Super Presetter		in.
4	1	060-1000-0054-00	B	User Manual - Super Presetter		in.
5	1	025-1000-0483-00		Zero Force Jumper, Super Presetter		in.
6	1	050-1000-0005-00	P	SDHT Software 4.25		in.
7	Ref	060-4000-0162-00	A	TEST: Initial Setup and Test of Super Presetter		in.
8	1	025-1000-0598-00		SPRING PRESETTER- Electrical Assembly		in.

Approved by: David Zamora

Date: January 19, 2008

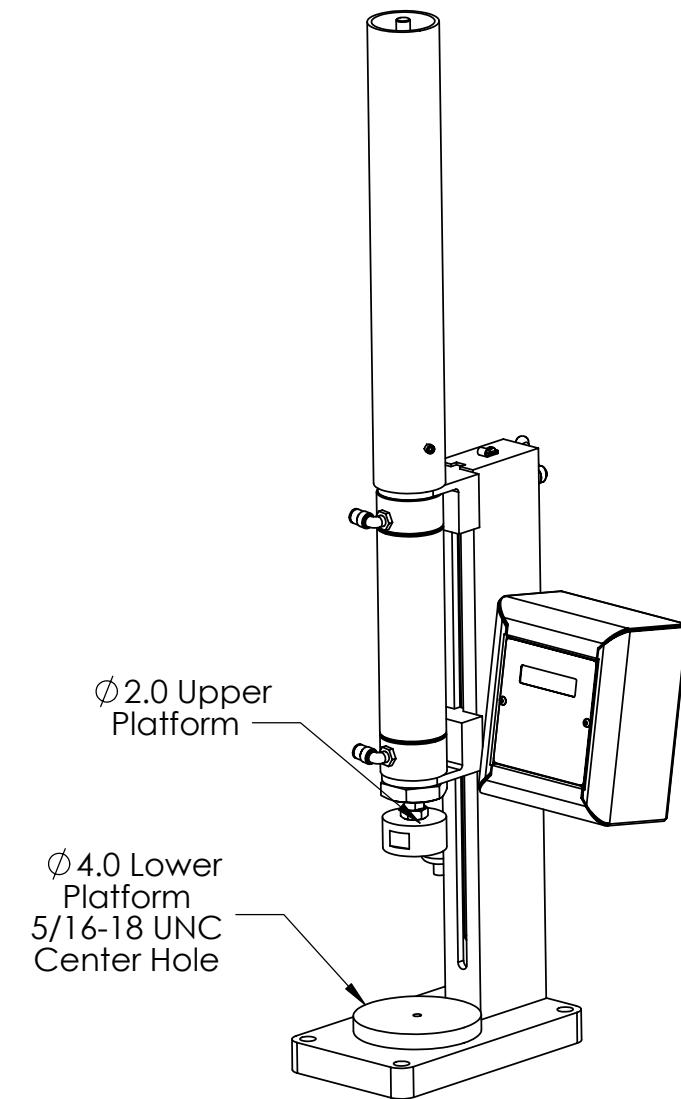
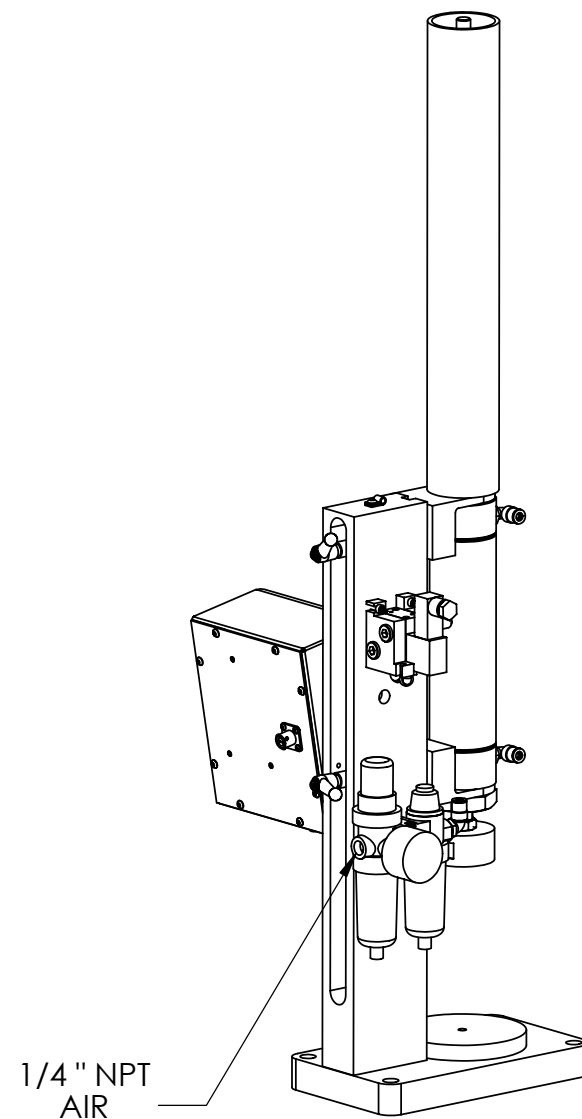
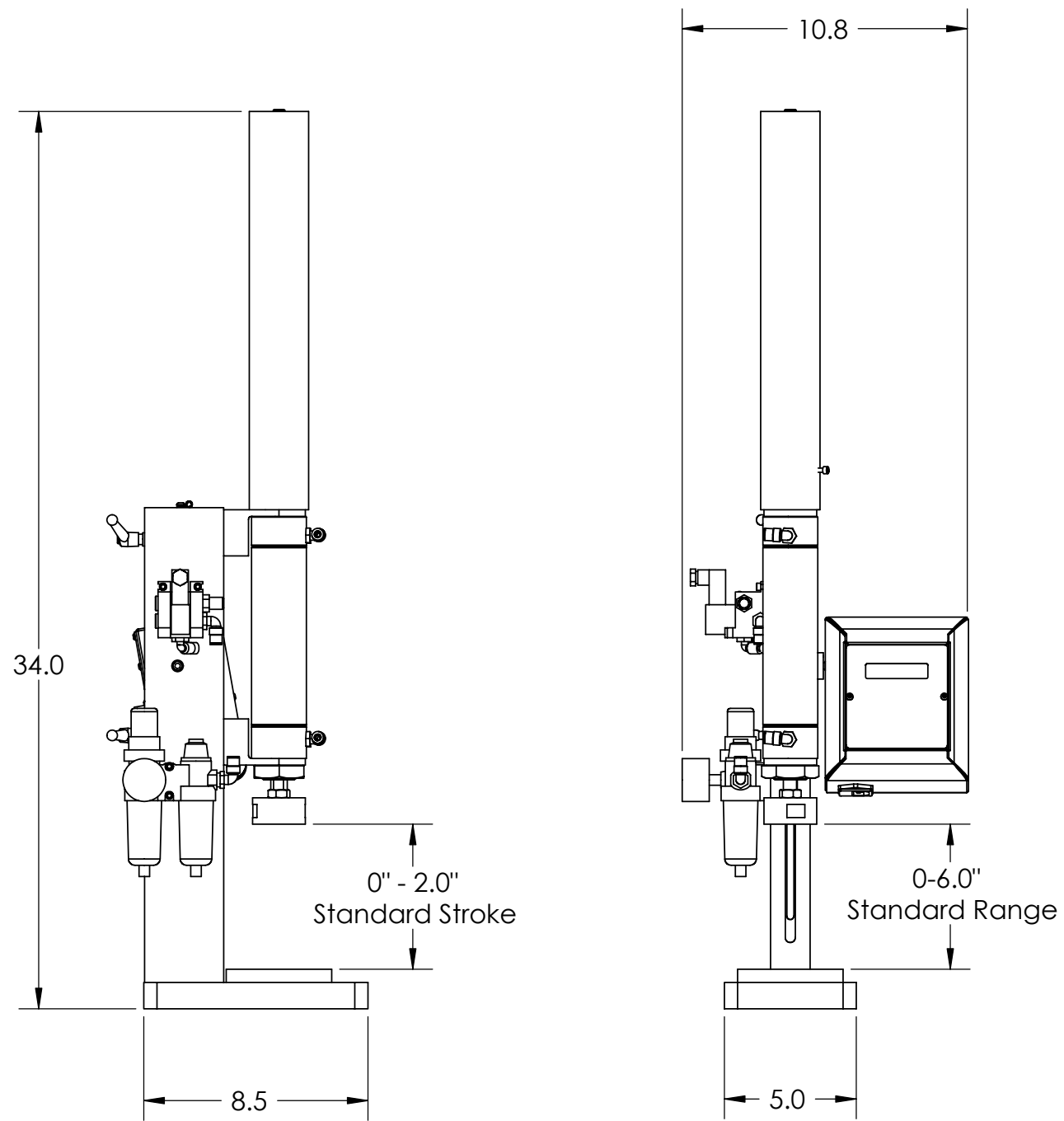
REV	DATE	DESCRIPTION	DRW	APP
		SEE SHEET 2		

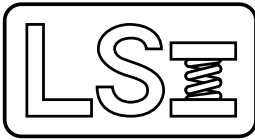


UNLESS OTHERWISE SPECIFIED DIMENSIONS ARE IN INCHES TOLERANCES ARE: .XX ± .01 .XXX ± .005	 <b>LARSON SYSTEMS INC.</b> 10073 Baltimore St. NE PH. 763-780-2131 Mpls., MN 55449 FAX. 763-780-2182			
			MATERIAL	APPROVALS
FINISH	DRAWN	KMP	1-8-08	Super Presetter, 200 lb
HEAT TREAT	APP.			B DWG. NO. 025-0000-0734-00A
	APP.			SCALE: NONE SHEET 1 OF 4

FEATURE LIST:

1. 200 lb capacity
2. 0 - 2" Stroke
3. 0" - 6" Range
4. Adjustable Range Height
5. Hand loaded single cycle up to 2,000 / hour
6. Auto cycle rates up to 3,000 / hour
7. 120VAC - 240VAC 50 - 60 Hz
8. 80-120 PSI Air Pressure





**025-0000-0734-00 A**  
 Super Hot/Cold Presetter, 200 lb

# Parts List

Rev	By	Date	Description
	KMP	12-28-2007	
A	DAL	02-26-2008	Added #46,47, 48, #23 was 3 is 2, del #20 (duplicate of #19), #33 was 013-0000-0038-00 is 013-0000-0064-00

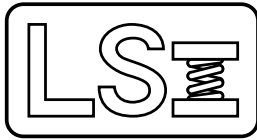
Item	Qty	Part Number	Rev	Part Name	PCB Location	Part Length
1	1	018-0000-2988-00		Base Plate - Solid Height Checker - Presetter		in.
2	1	018-0000-1745-03	B	PRESET STATION STAND, 18"L , Sorter/presetter		in.
3	1	018-0000-2987-00		Platform, Lower 4.0"		in.
4	2	018-0000-1746-04	A	MOUNT BRACKET, CYLINDER		in.
5	1	018-0000-1747-02		Preset Station Platform Upper 1/2-20		in.
6	1	018-0000-1748-04		Adjustable Stop Block, 2.0" Bore Cylinder		in.
7	1	018-0000-1749-02		COUPLING NUT 1/2-20 TO 7/16-20		in.
8	1	018-0000-1750-01		THREADED STOP ROD, 8.375 L		in.
9	1	018-0000-2331-01		Adjustable Stop Nut, Cummins		in.
10	1	018-0000-2334-05		Preset Safety Shield, 5" Stroke, 15"L		in.
11	Ref	025-0000-0284-00	J	Front Panel Assembly - SDHT		in.
12	Ref	025-1000-0598-00		SPRING PRESETTER- Electrical Assembly		in.
12		007-0000-0112-00	A	POWER ENTRY RFI FILTER & DUAL FUSED		in.
13	1	018-0000-2991-00		Enclosure, Force Meter, Presetter		in.
14	1	018-0000-2990-00		Cover, Presetter		in.
15	2	018-0000-1978-00		ASSP ADJ. HANDLE STAND OFF		in.
16	2	013-2000-0056-00		1/4" FLAT WASHER - ZINC		in.
17	2	013-5000-0122-00		Adjustable Handle KHB-8		in.
18	1	019-0000-0157-00		Soloid Valve, Manifold Mount, 120 VAC		in.
19	1	019-0000-0156-00		Manifold Valve, Right End Cover		in.
21	1	019-0000-0003-00		Filter, Regulator, Lubricater		in.
22	2	019-0000-0121-00		1/8 NPT Breather		in.
23	2	019-0000-0009-00		Fitting: 1/4 Tube x 1/8 NPT Elbow		in.
24	4	019-0000-0008-00		Fitting: 1/4 Tube x 1/4 NPTM elbow		in.
25	1	019-0000-0004-00		Pneumatic Connector		in.
26	1	019-0000-0163-00		Bimba Air Cylinder, 2.0 Dia 5" Stroke		in.
27	1	013-1000-0075-00		1 1/4-12 UNF JAM NUT (Bimba D-508)		in.
28	2	019-0000-0102-00		Fitting: 1/4 Tube Plug		in.
29	2	013-0000-0306-00		8-32 X 1 3/4 SHCS		in.
30	1	013-0000-0288-00		7/16-20 Jam Nut		in.

Approved by: 

Date: February 26, 2008

**SEE ATTACHED 2 DRAWINGS**





025-0000-0734-00 A

# Parts List

Super Hot/Cold Presetter, 200 lb

Rev	By	Date	Description
	KMP	12-28-2007	
A	DAL	02-26-2008	Added #46,47, 48, #23 was 3 is 2, del #20 (duplicate of #19), #33 was 013-0000-0038-00 is 013-0000-0064-00

Item	Qty	Part Number	Rev	Part Name	PCB Location	Part Length
31	1	013-0000-0273-00		1/2-20 Jam Nut		in.
32	2	013-0000-0156-00		8-32 X 3/4 SHCS		in.
33	2	013-0000-0064-00		1/4-20 X 1 SHCS		in.
34	2	013-0000-0154-00		5/16-18 X 1 1/4 SHCS		in.
35	10	013-0000-0077-00		6-32 X 1/4 Button Head Cap Screw		in.
36	2	013-0000-0015-00		4-40 X 1/4 FHSCS		in.
37	2	013-0000-0016-00		4-40 X 3/8 BHSCS		in.
38	5	013-0000-0020-00		4-40 X 1/4 Button Head Cap Screw		in.
39	3	013-2000-0290-00		WASHER NYLON #4		in.
40	1	018-0000-2995-00		Spacer, Enclosure		in.
41	1	013-0000-0065-00		1/4-20 X 1 1/4 SHCS		in.
43	1	013-0000-0044-00		1/4-20 Hex Nut		in.
44	8	013-0000-0077-00		6-32 X 1/4 Button Head Cap Screw		in.
45	1	013-0000-0058-00		8-32 X 3/8 SHCS		in.
46	1	013-0000-0012-00		8-32 X 3/8 Button Head Cap Screw		in.
47	1	013-3000-0018-00		Cable Clamp, 1/8" Dia.		in.
48	1	017-0000-0002-00		LSI Logo Stickers (2.25" x 1.25"), Old Style		in.

Approved by: 

Date: February 26, 2008

SEE ATTACHED 2 DRAWINGS



**Larson Systems Inc.**  
10073 Baltimore Street NE  
Minneapolis, MN 55449-4425  
[www.larsonsystems.com](http://www.larsonsystems.com)

763-780-2131  
1-877-780-2131  
Fax: 763-780-2182  
[info@larsonsystems.com](mailto:info@larsonsystems.com)

