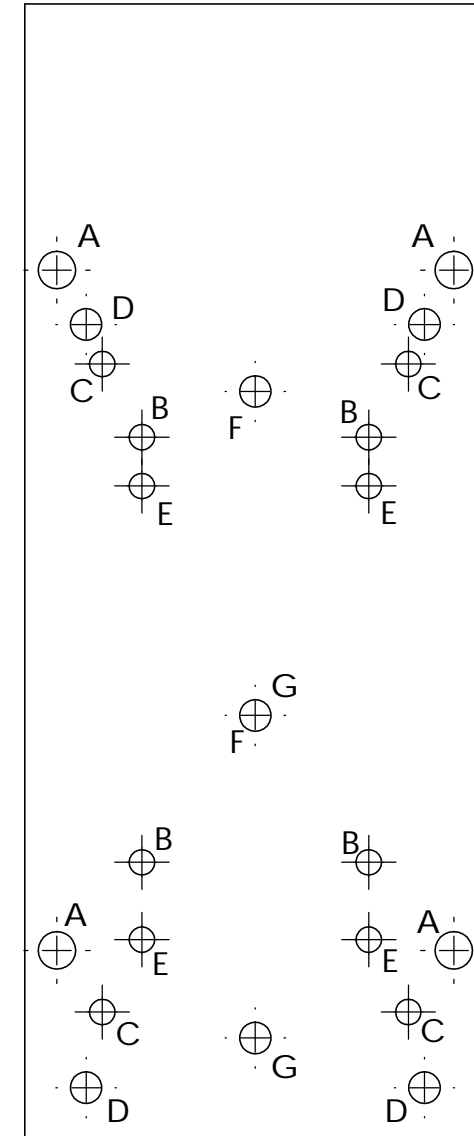
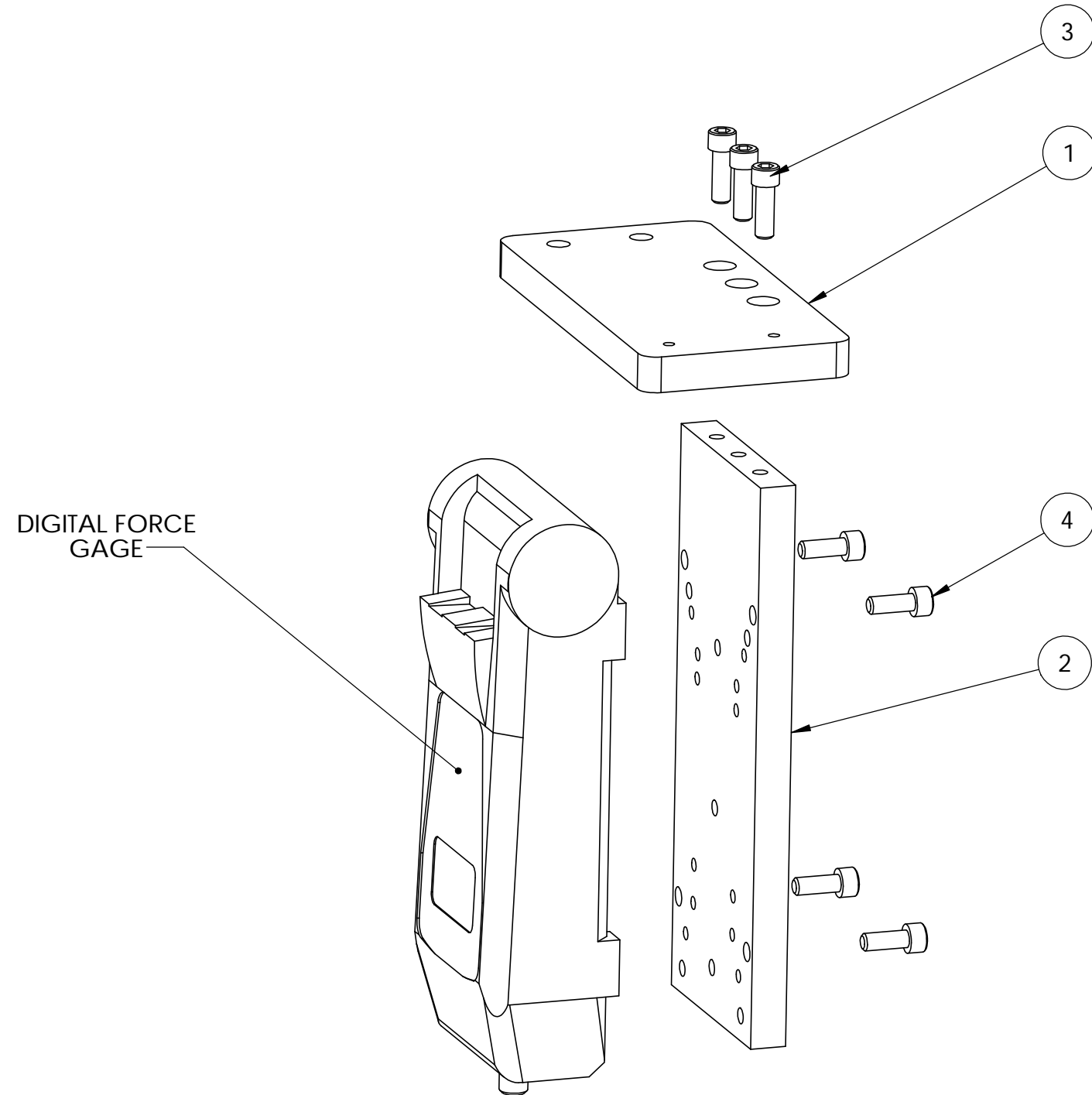



Digital Force Gage	Mount Hole	ITEM 4	ITEM 4 Qty
Shimpo FGV-HX	A	013-0000-0211-00	4
Shimpo FGV-X	B	013-0000-0148-00	4
Mark-10 BG 500	C	013-0000-0011-00	4
Mark-10 CG 1000	D	013-0000-0175-00	4
Dillon GL 500	E	013-0000-0148-00	4
Chatillon DFE 500	F	013-0000-0294-00	2
Mecmesin AFG 500	G	013-0000-0294-00	2

REV	DATE	DESCRIPTION	DRW	APP
		SEE SHEET 2		



UNLESS OTHERWISE SPECIFIED DIMENSIONS ARE IN INCHES TOLERANCES ARE: .XX ± .01 .XXX ± .005	 LARSON SYSTEMS INC. 10073 Baltimore St. NE PH. 763-780-2131 Mpls., MN 55449 FAX. 763-780-2182			
			MATERIAL	APPROVALS
FINISH	DRAWN	KMP	10-25-07	Digital Force Gauge Mt Assy, CST 1500
HEAT TREAT	APP.			B DWG. NO. 025-0000-0727-00
SCALE: NONE			SHEET 1 OF 2	