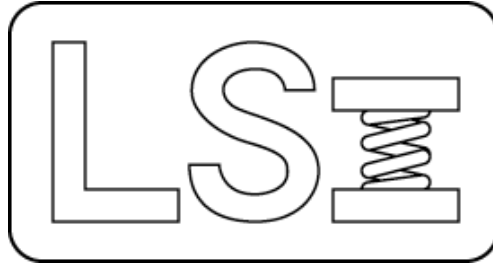


Larson Systems Inc.



STWCS Parts List

050-0000-0105-00

Super Torque Wrench Calibration System





050-0000-0105-00 B

Parts List

STWCS - Super Torque Wrench Calibration System

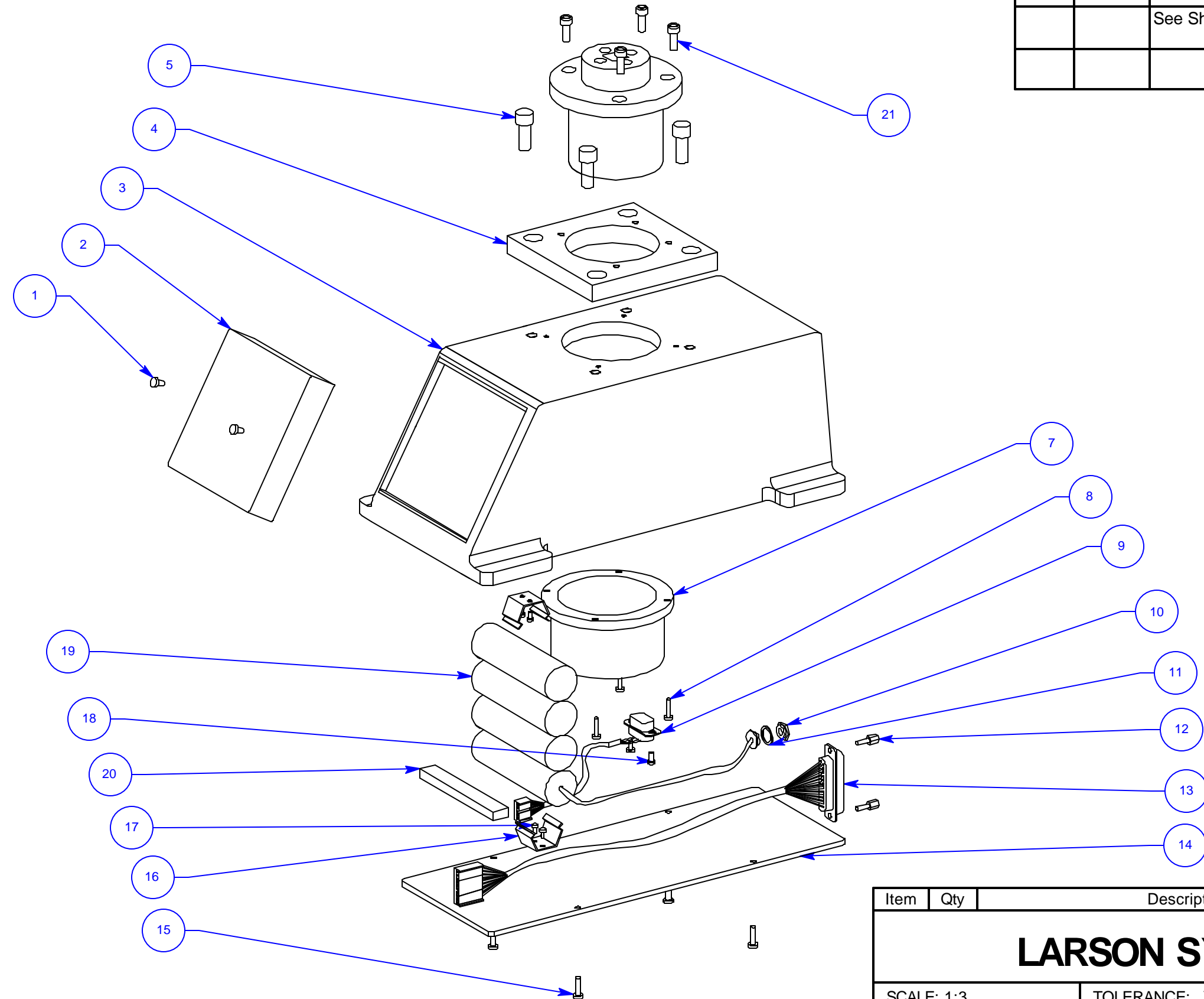
Rev	By	Date	Description
	SMH	02-08-2000	
A	DAL	10-31-2002	Deleted options and load cartridges. 025-1000-0280-02 was 025-1000-280
B	MDL	11-12-2002	Added 25-6000-8-00. 60-2000-5-02 was 60-2000-5

Item	Qty	Part Number	Rev	Part Name	PCB Location	Part Length
1	1	025-0000-0454-00	B	STWCS Assembly		in.
2	1	060-1000-0045-00	E	User Manual - TWCS Series		in.
3	1	059-0000-0038-00	A	Shipping Crate - TWCS Series		in.
4	1	025-1000-0396-02		Power Supply, 100-240 VAC 50-60 Hz (Australia, New		in.
5	1	060-2000-0005-02	A	Parts List - STWCS		in.
6	1	025-6000-0008-00		Sticker Assembly - STWCS		in.

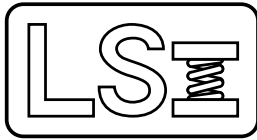
Approved by: 

Date: November 13, 2002

REV	DATE	DESCRIPTION	DRW	APPR
		See Sheet 2		



Item	Qty	Description	LSI P/N
LARSON SYSTEMS INC.			
SCALE: 1:3		TOLERANCE: .XX +/- .01	DRW. BY: SMH
DATE: 2/7/00		.XXX +/- .005	APPR. BY:
TITLE:		Super TWCS	
MATERIAL:		DRAWING NUMBER	
FINISH:		SHEET 1 OF 2	B
		025-0000-0454-00B	



025-0000-0454-00 B

STWCS Assembly

Parts List

Rev	By	Date	Description
	SMH	02-07-2000	
A	DAL	10-31-2002	25-0-345B was 25-1000-297-01, deleted 25-0-410-01,-02,-03,-04,-05
B	KMP	09-06-2006	Item 10 was 18-0-1301-00, Item 11 was 13-2-0117-00, Item 20 was 13-7-0077-00

Item	Qty	Part Number	Rev	Part Name	PCB Location	Part Length
1	2	013-0000-0077-00		6-32 X 1/4 Button Head Cap Screw		in.
2	1	025-0000-0345-00	C	Front Panel Assembly - TST / STWCS / SFM (DSUL)		in.
3	1	018-0000-1884-00	F	TWCS Housing		in.
4	1	018-0000-1899-00	B	REACTION PLATE		in.
5	4	013-0000-0055-00		5/16-18 X 3/4 SHCS		in.
7	1	018-0000-1882-00	A	FLANGE RECEIVER		in.
8	4	013-0000-0231-00		4-40 X 1/2 SHCS		in.
9	1	025-1000-0304-00	D	Smart Cell Cable Assembly, TST		in.
10	1	018-0000-2160-00	A	Power Jack Nut / Insulator		in.
11	1	013-2000-0241-00		Hard Fiber Washer, 5/16" ID x 9/16" OD x 1/64" Thick		in.
12	2	013-1000-0010-00		Female Screw Lock		in.
13	1	025-1000-0287-01	H	Internal RS 232 Cable		in.
14	1	018-0000-0877-00		Base Bottom Cover		in.
15	4	013-0000-0195-00		6-32 X 1/4 Phillips Pan Machine Screw		in.
16	2	011-2000-0002-00		Keystone 222 / Battery Holder		in.
17	4	013-0000-0184-00		2-56 X 3/16 PHMS, PHILLIPS		in.
18	2	013-0000-0020-00		4-40 X 1/4 Button Head Cap Screw		in.
19	1	025-1000-0240-00	M	Rechargeable Battery, 6V, SDHT, orange molex connector		in.
20	1	013-7000-0007-00		White Foam Tape 3.5' X .5" X .25"		in.
21	4	013-0000-0196-00		10-32 X 1/2 SHCS		in.

013-7000-0077-00 could possibly be 013-7000-0007-00. -MDL

Approved by: 

Date: November 29, 2006

SEE ATTACHED DRAWING



Larson Systems Inc.
10073 Baltimore Street NE
Minneapolis, MN 55449-4425
www.larsonsystems.com

763-780-2131
1-877-780-2131
Fax: 763-780-2182
info@larsonsystems.com

