

LARSON SYSTEMS MC46-3 THREE WAY SORTING CHUTE INSTRUCTION SHEET

060-1000-0055-00

Unpacking

Included in the carton should be the following items:

- This Instruction Sheet
- One mounting base including swivel clamp

Either

- One fully assembled MC46-3 chute
- MC46-3 chute body, one funnel, two side diverters, eight screws

Mounting the Chute

Mount the mounting base to the face of the coiler in a position that the chute mounting arm can be inserted in the swivel clamp when positioned to catch cutoff springs. The mounting arm on the chute can be positioned at four different angles.

Electrical Connection

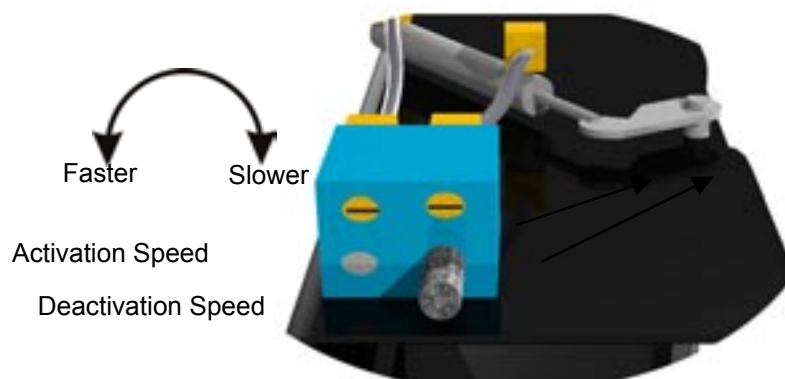
Connect the cable to any Larson Systems gage SORT connector. The cable is wired to sort good, short, and long springs. Sort time is set on the gage.

Air Connection

The MC46-3 comes with a 1/4" air line. This can be changed as necessary to facilitate air hook-up. The MC46-3 will operate on air pressures from 20-100 psi. Flapper speed can be adjusted at any pressure.

Adjusting Flapper Speed

Flapper speed can be adjusted in each direction using the flow control adjustment screws on the bottom of the air valve (fig. 3). Turning the screws CW will decrease flapper speed, CCW will increase flapper speed. Higher speeds can be used for high speed sorting while lower speeds are quieter and cause less wear on the chute.



If you received your chute with uninstalled funnel and diverters

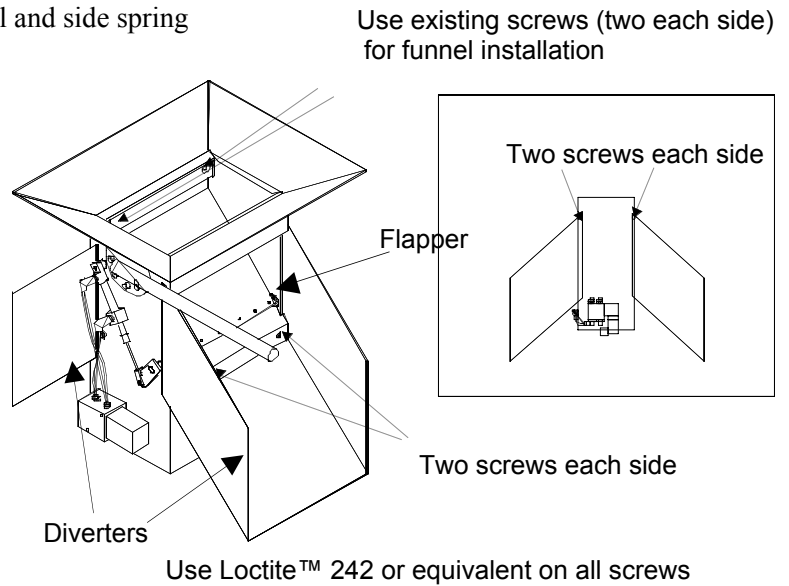
Some chutes are shipped requiring assembly of the funnel and side spring diverters.

To install the funnel:

1. Remove the two screws holding each black plastic piece (pads) at the top of the chute.
2. Remove the pads.
3. Insert the funnel.
4. Reinstall the pads and secure with the screws.

Installing the diverters:

1. Position the diverter as shown in the drawing.
2. Secure with two supplied screws beneath flapper and two supplied screws on each side.



Stand Mounting Clamp (Optional)

The MC46 can be mounted on a standard floor stand when used with this mounting clamp (025-0000-0552-00).

Slide the mounting arm through the smaller clamp and tighten with the four screws

Slide the clamp and chute over the floor stand pole through the remaining clamp and tighten at desired height.

