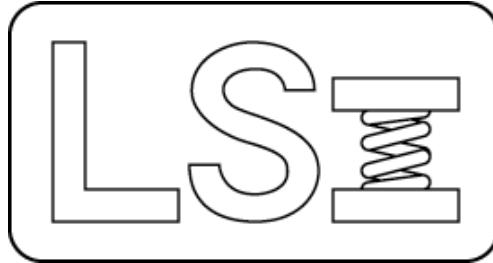


Larson Systems Inc.



FDHT Parts List

050-0000-0047-02

Force Digital Hand Tester – 11 lb





050-0000-0047-02

FDHT - 11 lb

Parts List

Rev	By	Date	Description
	MDL	07-08-2004	

Item	Qty	Part Number	Rev	Part Name	PCB Location	Part Length
1	ref	025-1000-0396-00		Power Supply, 100-240 VAC 50-60 Hz (USA Plug)		in.
2	1	025-0000-0166-03	C	Lower Assembly FDHT 11 lb		in.
3	1	025-0000-0185-04	E	Upper Assembly 7" FDHT		in.
4	1	060-1000-0025-00	K	User Manual - ECT / CDHT / FDHT / DHT / CST		in.
5	1	060-0000-0074-00	A	Tester Packet Forms		in.
6	1	059-0000-0016-00	E	Hand Tester Shipping Box & Materials		in.
7	1	025-6000-0003-00	A	Sticker Assembly - FDHT		in.
8	1	060-2000-0016-04		Parts List - FDHT 11 lb		in.

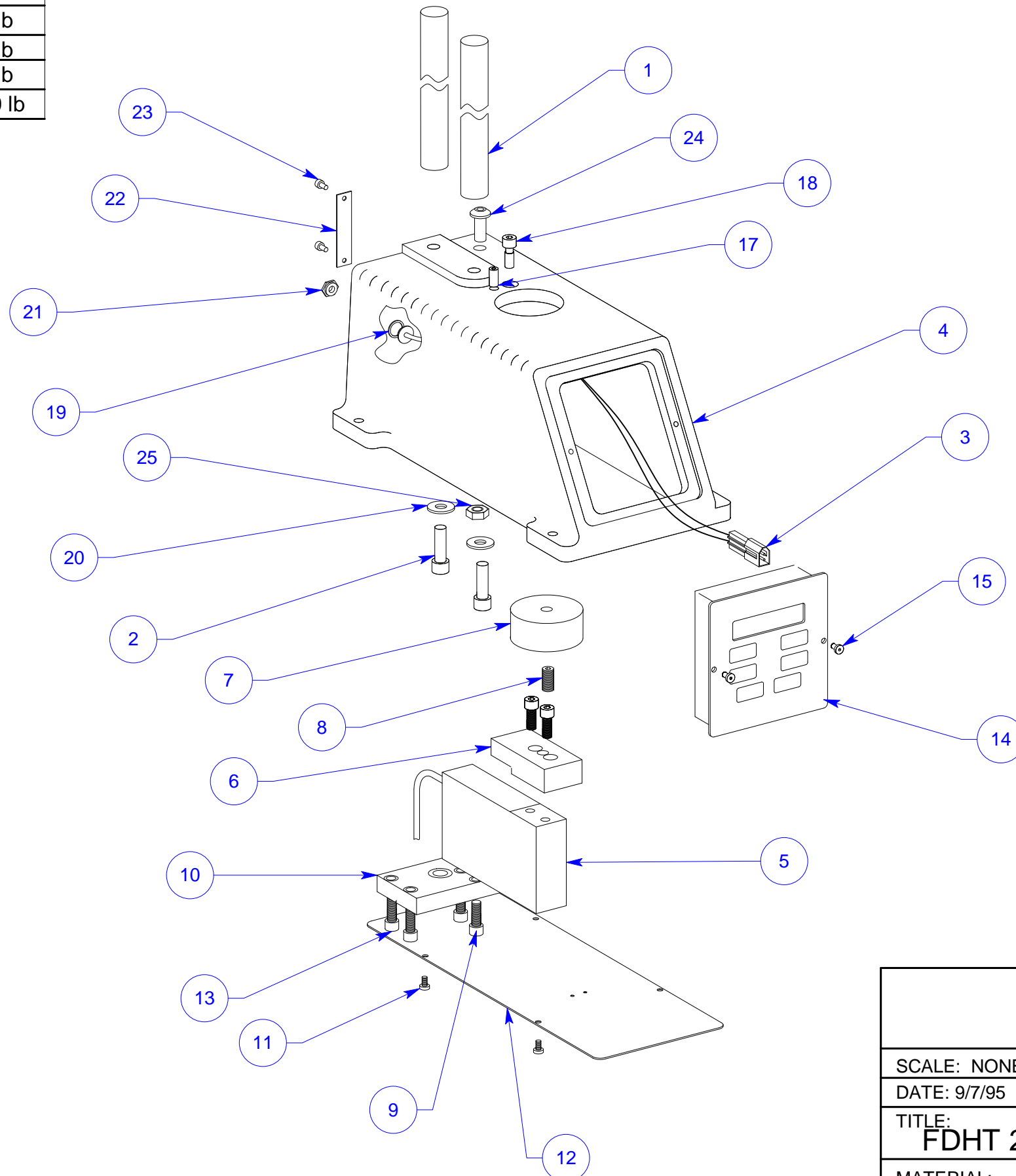
Refer to actual order form to determine power supply.

Approved by: 

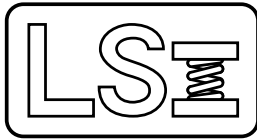
Date: July 20, 2004

025-0000-0166-XX	Description
025-0000-0166-01	FDHT 110 lb
025-0000-0166-02	FDHT 2 lb
025-0000-0166-03	FDHT 11 lb
025-0000-0166-04	FDHT 22 lb
025-0000-0166-05	FDHT 66 lb
025-0000-0166-06	FDHT 200 lb

REV	DATE	DESCRIPTION	DRW	APPR
		See Page 2		



LARSON SYSTEMS INC.		
SCALE: NONE	TOLERANCE: .XX +/- .01	DRW. BY: DD
DATE: 9/7/95	.XXX +/- .005	APPR. BY:
TITLE: FDHT 2, 11, 22, 66, 110, 200 lbs, LOWER ASSEMBLY		
MATERIAL:	B	DRAWING NUMBER
FINISH:		025-0000-0166-XXC



025-0000-0166-03 C

Lower Assembly FDHT 11 lb

Parts List

Rev	By	Date	Description
	SMH	10-30-2002	
A	SMH	12-11-2002	REMOVED ITEM 16, ITEM 23 WAS 13-0-20 IS 13-0-178
B	DAL	07-20-2004	Added -02, -03, -04, -05, -06, 025-0000-482-00 was 025-0000-0313-00
C	DAL	04-28-2010	for -01,-04,-05, -06 #6 018-0000-0903-03 was 018-0000-0903-02

Item	Qty	Part Number	Rev	Part Name	PCB Location	Part Length
1	2	018-0000-0907-03	N	23.200" Support Rods (18" Range)		in.
2	2	013-0000-0154-00		5/16-18 X 1 1/4 SHCS		in.
3	1	025-1000-0251-00	F	Internal Power Cable (025-1000-0396-XX power supplies, Plugs		in.
4	1	018-0000-0871-02	W	DHT Base		in.
5	1	025-1000-0172-02	Q	11 lb Load Cell		in.
6	1	018-0000-1100-00	B	Lower Platform Mounting Plate		in.
7	1	018-0000-1101-00	C	2" Ø Lower Platform		in.
8	1	013-0000-0132-00		5/16-18 X 5/8 SSS		in.
9	4	013-0000-0198-00		1/4-20 X 5/8 SHCS		in.
9		013-0000-0211-00		M6 X 16 mm SHCS		in.
10	1	018-0000-0902-02	D	Load Cell Mounting Plate (DHT)		in.
11	4	013-0000-0195-00		6-32 X 1/4 Phillips Pan Machine Screw		in.
12	1	018-0000-0877-00	E	Base Bottom Cover		in.
13	4	013-0000-0149-00		1/4-28 X 7/8" SHCS		in.
14	1	025-0000-0482-00	H	Front Panel Assembly, 2 Line Display (2mv Strain Gage)		in.
15	2	013-0000-0077-00		6-32 X 1/4 Button Head Cap Screw		in.
17	1	013-0000-0194-00		1/4-28 X 1/2 SSS FLAT POINT		in.
18	1	018-0000-1302-00	A	Compression Overload Stops		in.
19	ref	013-2000-0241-00		Hard Fiber Washer, 5/16" ID x 9/16" OD x 1/64" Thick		in.
20	2	018-0000-1514-00		WASHER .320 I.D. X .625 O.D.		in.
21	1	018-0000-2160-00	A	Power Jack Nut / Insulator		in.
22	1	018-0000-2014-00		25 PIN COVER PLATE		in.
23	2	013-0000-0178-00		4-40 X 1/4 SHCS		in.
24	1	013-0000-0114-00		5/16-18 X 3/4 BHSCS		in.
25	1	013-0000-0111-00		5/16-18 Hex Nut		in.

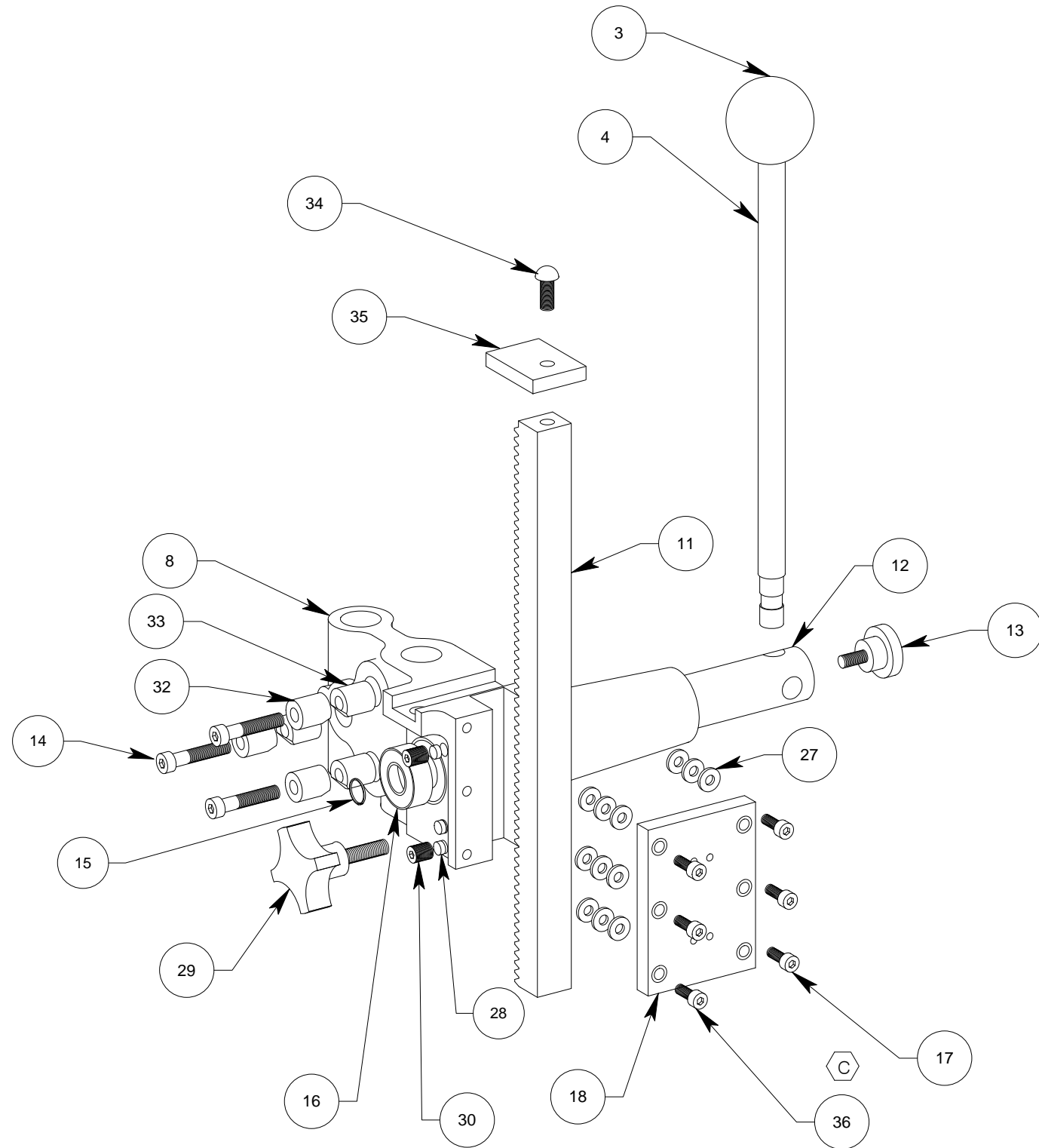
Approved by:

Date:

April 28, 2010

SEE ATTACHED DRAWING

ITEM	DATE	DESCRIPTION	DRW	APPR
		See Filemaker		



LARSON SYSTEMS INC.		
SCALE: FULL	TOLERANCE: .XX+/- .01 .XXX +/- .005	DRW BY: DD
DATE: 8/16/95		APPR BY:
TITLE: UPPER ASSEMBLY OF FORCE DHT (7IN.)		
MATERIAL:	DRAWING NUMBER	
FINISH:	SHEET 1 OF 2 B	025-0000-185-04E



025-0000-0185-04 E

Parts List

Upper Assembly 7" FDHT

Rev	By	Date	Description
B	DD	10-01-1995	Add Nylock to #30 5/16-18 x 3/8 SSS
C	DD	03-01-1997	#17 was Qty 6 is 5, added #36 13-0-192
D	SGS	09-11-2008	Item #13 was 013-5000-0056-00,Item#29 was 013-5000-0049-00,Item #36 Qty was 1
E	DAL	11-01-2012	#14 was 013-0000-0098-00 is 013-0000-0065-00

Item	Qty	Part Number	Rev	Part Name	PCB Location	Part Length
3	1	013-5000-0029-00		Phoenolic Ball Knob		in.
4	1	018-0000-0901-01	C	Handle - 7.84" (22, 66, 110, 200 lb Hand Tester)		in.
4	ref	018-0000-0901-02	C	Handle - 9.84" (750, 2000 lb Hand Tester)		in.
8	1	018-0000-0872-02	K	Rack Housing, Hand Tester		in.
11	1	018-0000-1296-00	A	Upper Platform Mounting Plate FDHT		in.
12	1	018-0000-0876-00	A	Stem Pinion		in.
13	1	018-0000-2214-00	A	Handle Lock, 1/4-20		in.
14	3	013-0000-0065-00		1/4-20 X 1 1/4 SHCS		in.
15	1	013-2000-0086-00		Snap Ring, 5100-46-PP		in.
16	1	013-2000-0080-00		Bearing, Hand Tester Housing		in.
17	4	013-0000-0196-00		10-32 X 1/2 SHCS		in.
18	1	018-0000-0873-00	G	SDHT Caliper Mounting Plate		in.
27	ar	018-0000-0435-01	C	Shim - 0.195 ID, 0.450 OD, 0.0010 thick		in.
28	3	018-0000-1036-00	A	Brass Wear Pad		in.
29	1	018-0000-2221-00	A	Rack Lock, 5/16-18		in.
30	1	013-0000-0243-00		5/16-18 X 3/8 SSS with Nylon Lock		in.
32	3	018-0000-1042-00	A	Locking Clamp #1 (Hand Tester)		in.
33	3	018-0000-1043-00	B	Locking Clamp #2 (Hand Tester)		in.
34	1	013-0000-0093-00		1/4-20 X 5/8 BHSCS		in.
35	1	018-0000-1295-00		TRAVEL LIMIT STOP/FDHT		in.
36	2	013-0000-0192-00		10-32 X 3/8 SHCS		in.

Approved by:

Date:

November 1, 2012

SEE ATTACHED DRAWING

Printed on 11-01-2012, 5:44:57 PM by DAL

Page 2 of 2



Larson Systems Inc.
10073 Baltimore Street NE
Minneapolis, MN 55449-4425
www.larsonsystems.com

763-780-2131
1-877-780-2131
Fax: 763-780-2182
info@larsonsystems.com

