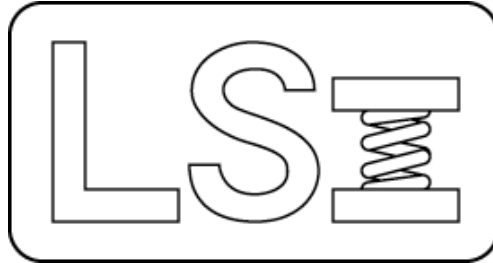


# *Larson Systems Inc.*



## *DHT Parts List*

*050-0000-0019-00*

*Digital Hand Tester – 11 lb*





**050-0000-0019-00 J**  
DHT - 11 lb

# Parts List

Rev	By	Date	Description
F	SMH		025-1000-0280-01 was 011-0000-0009-00, added 025-0000-0488-00, now on Excel
G	DAL		Added 060-2000-0015-02
H	MDL	11-05-2002	Added 025-6000-0004-00, cleared options
J	MDL	07-14-2004	Changed 025-1000-0280-01 to 025-1000-0396-00 and referenced it instead of calling quantity.

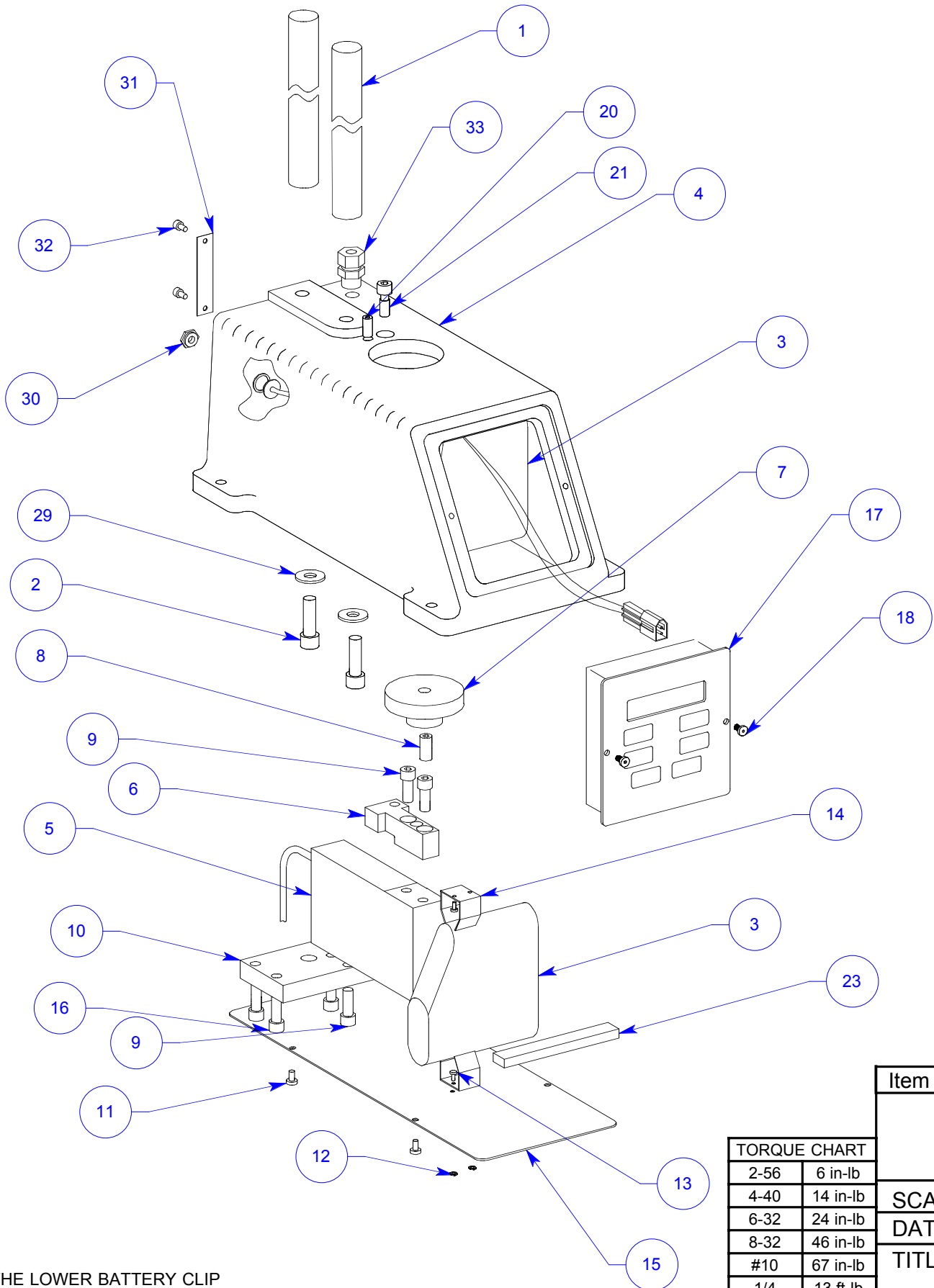
Item	Qty	Part Number	Rev	Part Name	PCB Location	Part Length
1	ref	025-1000-0396-00		Power Supply, 100-240 VAC 50-60 Hz (USA Plug)		in.
2	1	025-0000-0184-00	P	Lower Assembly DHT 11 lb		in.
3	1	025-0000-0185-00	G	Upper Assembly 6" DHT		in.
4	1	060-1000-0025-00	K	User Manual - ECT / CDHT / FDHT / DHT / CST		in.
5	1	060-0000-0074-00	A	Tester Packet Forms		in.
6	1	059-0000-0016-00	E	Hand Tester Shipping Box & Materials		in.
7	1	060-2000-0015-02		Parts List - DHT 11 lb		in.
8	1	025-6000-0004-00		Sticker Assembly - DHT		in.

Refer to actual order form to determine power supply.

Approved by: 

Date: July 19, 2004

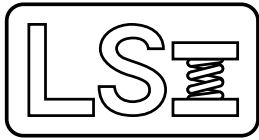
REV	DATE	DESCRIPTION	DRW	APPR
		SEE SHEET 2		



NOTE  
 1. ADD ITEM #23 OVER THE TOP OF SCREWS ON THE LOWER BATTERY CLIP  
 GRIND SCREWS FLAT ON THE OPPOSITE SIDE  
 2. TORQUE ALL BOLTS TO TORQUE CHART VALUES UNLESS OTHERWISE NOTED

TORQUE CHART	
2-56	6 in-lb
4-40	14 in-lb
6-32	24 in-lb
8-32	46 in-lb
#10	67 in-lb
1/4	13 ft-lb
5/16	26 ft-lb
3/8	47ft-lb
1/2	117 ft-lb

Item	Qty	Description	LSI P/N
<b>LARSON SYSTEMS INC.</b>			
SCALE: NONE		TOLERANCE: .XX +/- .01	DRW. BY: DD
DATE: 9/7/95		.XXX +/- .005	APPR. BY:
TITLE:		<b>DHT 10 lbs, LOWER ASSEMBLY</b>	
MATERIAL:		DRAWING NUMBER	
FINISH:		SHEET 1 OF 2	<b>B</b> 025-0000-0184-00P



**025-0000-0184-00 P**  
**Lower Assembly DHT 10 lb**

# Parts List

Rev	By	Date	Description
M	SMH	12-08-2000	REM'D ITEMS 24-27, ADDED ITEMS 31 AND 32, ADDED NOTE 2
N	SMH	09-13-2001	ITEM 17 WAS 25-0-313 IS 25-0-482, ADDED ITEM 33
P	SMH	12-10-2002	REM'D ITEMS 19 AND 28, ITEM 22 WAS 12-2-4 IS 13-2-241, ITEM 30 WAS 18-0-1301 IS 18-0-2160, ITEM 32 WAS 13-0-20 IS 13-0-178, DRAWING WAS 1 SHEET IS 2

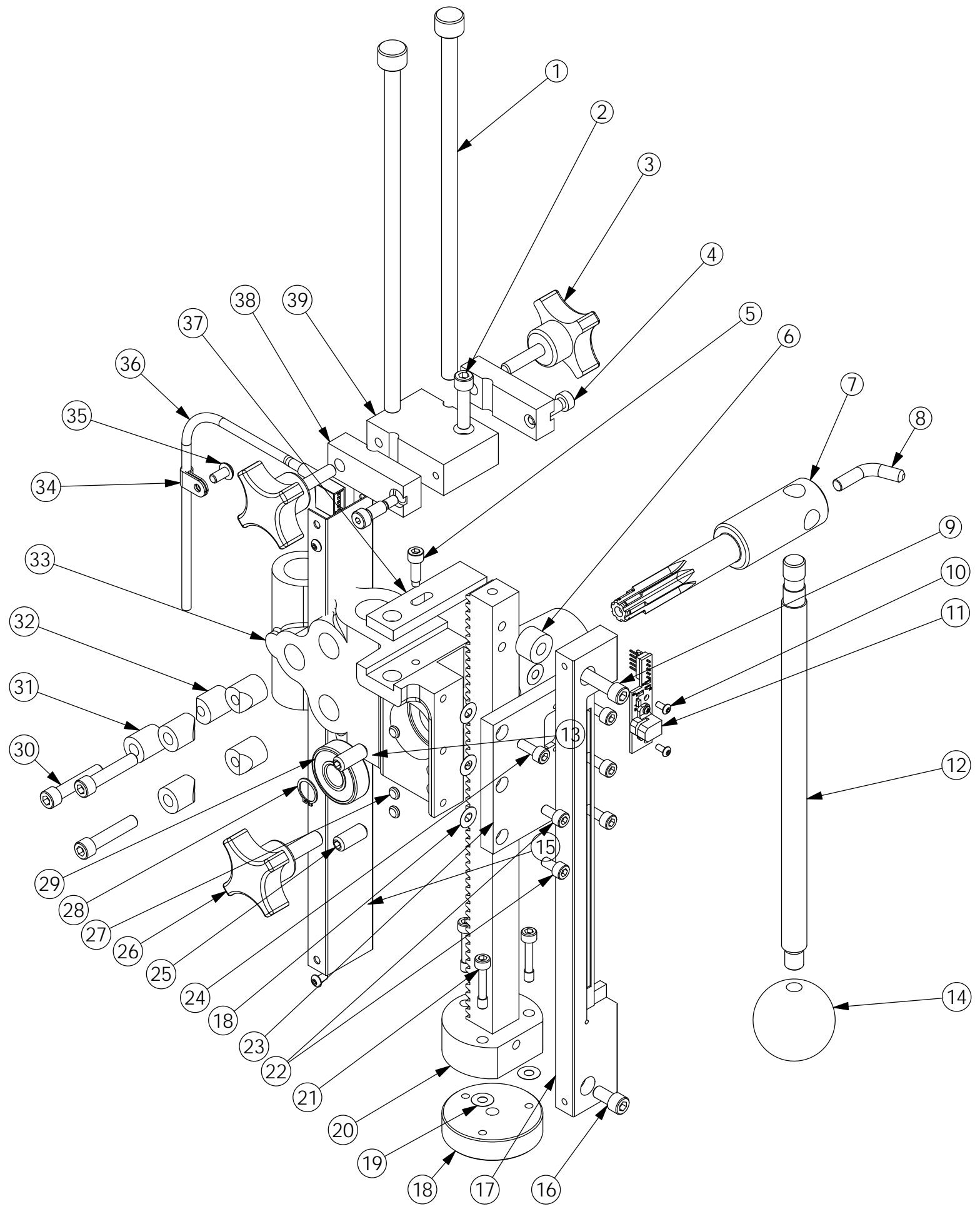
Item	Qty	Part Number	Rev	Part Name
1	2	018-0000-0907-01	M	17.200" Support Rods (12" Range)
2	2	013-0000-0154-00		5/16-18 X 1 1/4 SHCS
3	1	025-1000-0240-00	K	Rechargeable Battery
4	1	018-0000-0871-02		DHT Base
5	1	025-1000-0172-02		11 lb Load Cell for SDHT
6	1	018-0000-1100-00		Lower Platform Mounting Plate
7	1	018-0000-1101-00		Lower Platform
8	1	013-0000-0132-00		5/16-18 X 5/8 SSS
9	4	013-0000-0198-00		1/4-20 X 5/8 SHCS
9		013-0000-0182-00		1/4-28 X 5/8 SHCS
9		013-0000-0211-00		M6 X 16 SHCS
10	1	018-0000-0902-02		LOAD CELL MOUNTING PLATE (DHT)
11	4	013-0000-0195-00		6-32 X 1/4 PHMS PHILLIPS
12	2	013-0000-0185-00		2-56 HEX NUT
13	4	013-0000-0184-00		2-56 X 3/16PHMS, PHILLIPS
14	2	011-2000-0002-00		KEYSTONE 222/BATT. HOLDER
15	1	018-0000-0877-00		BASE BOTTOM COVER
16	4	013-0000-0149-00		1/4-28 X 7/8 SHCS
17	1	025-0000-0482-00		Front Panel Assembly, 2 Line Display (2mv Strain Gage)
18	2	013-0000-0077-00		6-32 x 1/4 BHSCS
20	1	013-0000-0194-00		1/4-28 X 1/2 SSS FLAT POINT
21	1	018-0000-1302-00	A	COMPRESSION OVERLOAD STOPS
22	1	013-2000-0241-00		Hard Fiber Washer, 5/16" ID x 9/16" OD x 1/64" THK
23	1	013-7000-0007-00		White Foam Tape 3.5' X .5" X .25"
29	2	018-0000-1514-00		WASHER .320 I.D. X .625 O.D.
30	1	018-0000-2160-00		Power Jack Nut
31	1	018-0000-2014-00		25 PIN COVER PLATE
32	2	013-0000-0178-00		4-40 X 1/4 SHCS
33	1	013-3000-0022-00		69915K47 cord grip fitting


Approved by: 

Date: December 10, 2002

**SEE ATTACHED DRAWING**

REV.	DATE	DESCRIPTION	DRW	APPROVED
		Revision list in Filemaker		



UNLESS OTHERWISE SPECIFIED DIMENSIONS ARE IN INCHES TOLERANCES ARE: .XX ± .01 .XXX ± .005	 <b>LARSON SYSTEMS INC.</b> 10073 Baltimore St. NE PH. 763-780-2131 Mpls., MN 55449 FAX. 763-780-2182	
MATERIAL	DHT Upper Assembly	
FINISH	DWG. NO. B 025-0000-185-00G	
HEAT TREAT	SCALE: NONE	
	SHEET 1 OF 3	



# 025-0000-0185-00 G

## Upper Assembly 6" DHT

# Parts List

Rev	By	Date	Description
E	SMH	09-10-2001	REMOVED OLD SCALE REPLACED WITH NEW ENCODER, ASSEMBLY DONE IN SOLIDWORKS
F	SMH	12-11-2001	CHANGE SCALE OVER TO 025-0000-484, ADDED OTHER ITEMS DELETED FOR 025-0000-484
G	DAL	11-03-2012	Renumbered Balloons, #30 was 013-0000-0098-00 is 013-0000-0065-00, #24 013-0000-0196-00 was 3 ea is 4 ea, #22 013-0000-0192-00 was 3 ea is 2 ea, #36 025-1000-0352-01 was 025-0000-0352-00
	SMH	09-10-2001	

Item	Qty	Part Number	Rev	Part Name	PCB Location	Part Length
1	2	018-0000-1063-01	C	Stop Rods, 8.75		in.
2	1	013-0000-0064-00		1/4-20 X 1 SHCS		in.
3	2	013-5000-0059-00		1/4-20 knob		in.
4	2	013-0000-0204-00		1/4 X 1/2 SHSS, SHOULDER SCREW 10-24TH		in.
5	1	018-0000-1024-00	B	SHSC REWORK/DHT		in.
6	1	018-0000-2222-00		ENCODER SPACER		in.
7	1	018-0000-0876-00	A	Stem Pinion		in.
8	1	018-0000-2214-00	A	Handle Lock, 1/4-20		in.
9	1	013-0000-0202-00		1/4-20 X 7/8 SHCS		in.
10	2	013-0000-0020-00		4-40 X 1/4 BHCS		in.
11	1	025-1000-0351-00	A	Encoder PCB Assembly		in.
12	1	018-0000-0901-00	C	Handle - 5.84" (2, 10 lb Hand Tester)		in.
13	1	018-0000-2217-00	B	Encoder Cover		in.
14	1	013-5000-0029-00		Phoenolic Ball Knob		in.
15	4	013-0000-0077-00		6-32 X 1/4 BHCS		in.
16	1	013-0000-0031-00		1/4-20 X 1/2 SHCS		in.
17	1	025-0000-0484-00	B	Glass Scale Assembly		in.
18	1	018-0000-1044-00	C	2" DIA Upper Platform		in.
19	9	018-0000-0435-01	C	Shim - 0.195 ID, 0.450 OD, 0.0010 thick		in.
20	1	018-0000-1249-06	P	ECT / CDHT / DHT Gear Rack		in.
21	3	018-0000-1732-02	B	10-32 Custom Screws for Platform Alignment		in.
22	2	013-0000-0192-00		10-32 X 3/8 SHCS		in.
23	1	018-0000-2218-00	B	Front Plate (for LSI Encoder)		in.
24	4	013-0000-0196-00		10-32 X 1/2 SHCS		in.
25	2	013-0000-0242-00		5/16-18 X 3/4 SSSCPPT		in.
26	1	018-0000-2221-00	A	Rack Lock, 5/16-18		in.
27	3	018-0000-1036-00	A	Brass Wear Pad		in.
28	1	013-2000-0086-00		Snap Ring, 5100-46-PP		in.
29	1	013-2000-0080-00		Bearing, Hand Tester Housing		in.
30	3	013-0000-0065-00		1/4-20 X 1 1/4 SHCS		in.

Approved by: \_\_\_\_\_

Date: \_\_\_\_\_

**SEE ATTACHED DRAWING**



# 025-0000-0185-00 G

# Parts List

## Upper Assembly 6" DHT

Rev	By	Date	Description
E	SMH	09-10-2001	REMOVED OLD SCALE REPLACED WITH NEW ENCODER, ASSEMBLY DONE IN SOLIDWORKS
F	SMH	12-11-2001	CHANGE SCALE OVER TO 025-0000-484, ADDED OTHER ITEMS REQUIRED FOR 025-0000-484
G	DAL	11-03-2012	Renumbered Balloons, #30 was 013-0000-0098-00 is 013-0000-0065-00, #24 013-0000-0196-00 was 3 ea is 4 ea, #22 013-0000-0192-00 was 3 ea is 2 ea, #36 025-1000-0352-01 was 025-0000-0352-00
	SMH	09-10-2001	

Item	Qty	Part Number	Rev	Part Name	PCB Location	Part Length
31	3	018-0000-1042-00	A	Locking Clamp #1 (Hand Tester)		in.
32	3	018-0000-1043-00	B	Locking Clamp #2 (Hand Tester)		in.
33	1	018-0000-0872-02	M	Rack Housing, Hand Tester		in.
34	1	013-3000-0023-00		Cable Clamp, 3/16" Dia.		in.
35	1	013-0000-0052-00		10-32 X 3/8 BHSCS		in.
36	1	025-1000-0352-01	B	Encoder Cable Standard DHT		in.
37	1	018-0000-1023-00	B	Sliding Stop Block		in.
38	2	018-0000-1062-00	A	Top Support Clamp		in.
39	1	018-0000-1022-00	G	TOP STOP SUPPORT/DHT		in.

Approved by: \_\_\_\_\_

Date: \_\_\_\_\_

**SEE ATTACHED DRAWING**



**Larson Systems Inc.**  
10073 Baltimore Street NE  
Minneapolis, MN 55449-4425  
[www.larsonsystems.com](http://www.larsonsystems.com)

763-780-2131  
1-877-780-2131  
Fax: 763-780-2182  
[info@larsonsystems.com](mailto:info@larsonsystems.com)

