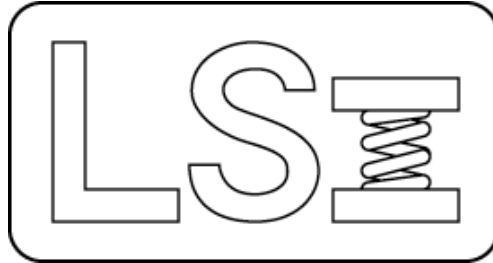


Larson Systems Inc.



RoboSTAR 25 Parts List

050-0000-0095-00



Large Base

Small Base

Also available with the FLASH Head attached to RoboSTAR itself.



050-0000-0095-00 E

Parts List

RoboSTAR - Flash Control Base Unit - 24" Stroke

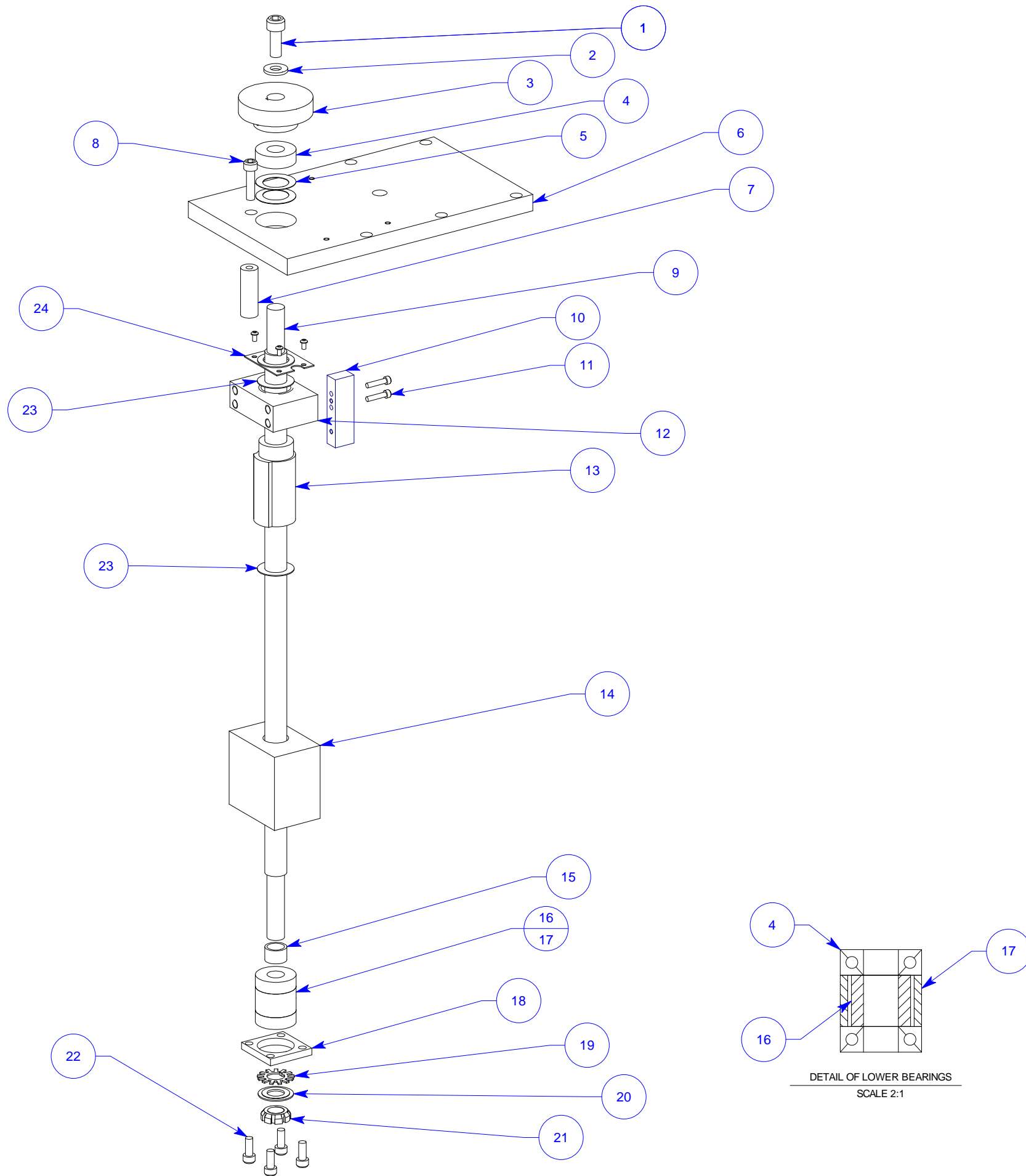
Rev	By	Date	Description
B	DAL	03-31-2003	060-1000-0029-00 was 060-1000-0044-00
C	MDL	02-23-2004	Added 025-6000-0014-00 Sticker Assembly
D	KMP	12-12-2007	Update name to 1,000 lb with new servo drive. Item 5 was 60-1-0029-00
E	TLS	10-09-2013	With Robin's help: item 2 & 2 opt are 025-0000-0431-15 & 025-0000-0431-13 was 025-0000-0431-11 (now obsolete).

Item	Qty	Part Number	Rev	Part Name	PCB Location	Part Length
1	1	025-0000-0427-00		STAR 24 REMOTE		in.
2	1	025-0000-0431-15		FLASH - Robostar remote head		in.
2	opt	025-0000-0431-13	A	FLASH - Robostar attached head		in.
3	2	010-4000-0011-00		3 METER 9M TO 9F DSUB CABLE		in.
4	1	010-4000-0010-00		AC Extension SPC MEC-936A-12		in.
5	1	060-1000-0066-01	A	User Manual - STAR and RoboSTAR		in.
6	1	060-2000-0013-01		Parts List - RoboSTAR 24" Stroke		in.
7	1	059-0000-0040-01		Shipping Crate - STAR 25		in.
8	1	060-6000-0046-00	C	FLASH Tester, External Connector Interface Manual		in.
9	ref	025-0000-0414-01	J	STAR Series Smart Load Cell - 2 lb (2" Ø Platform)		in.
9	ref	025-0000-0414-02	J	STAR Series Smart Load Cell - 11 lb (3.5" Ø Platform)		in.
9	ref	025-0000-0414-03	J	STAR Series Smart Load Cell - 22 lb (3.5" Ø Platform)		in.
9	ref	025-0000-0414-04	J	STAR Series Smart Load Cell - 66 lb (3.5" Ø Platform)		in.
9	ref	025-0000-0414-05	J	STAR Series Smart Load Cell - 110 lb (3.5" Ø Platform)		in.
9	ref	025-0000-0414-06	J	STAR Series Smart Load Cell - 200 lb (3.5" Ø Platform)		in.
9	ref	025-0000-0415-01	E	STAR Series Smart Load Cell - 550 lb (3.5" Ø Platform)		in.
9	ref	025-0000-0415-02	E	STAR Series Smart Load Cell - 1,000 lb (3.5" Ø		in.
9	ref	025-0000-0416-01	A	STAR Series Smart Load Cell - 2,000 lb Rd (Belleville)		in.
18	1	025-2000-0164-00		Schematic, Flash Lite Robo STAR 9/24 Servo 120/240		in.
20	1	025-6000-0014-00		Sticker Assembly - RoboSTAR 24"		in.
20	1	060-6000-0114-00		FLASH : System Image Creation Letter		in.

Approved by: _____

Date: _____

SEE ATTACHED DRAWING



24	4	STAR BALL SCREW WIPER COVER	018-0000-1940
23	1	WIPER KIT	013-5000-063
22	4	1/4-20 X 3/4 SHCS	013-0000-032
21	1	PN-02 LOCK NUT	013-2000-104
20	1	DUST CAP	018-0000-1846
19	1	PW-02 LOCK WASHER	013-2000-105
18	1	BEARING CLAMP	018-0000-1837
17	1	BEARING OD SPACER	018-0000-1852
16	1	BEARING SPACER	018-0000-1852
15	1	SPACER	018-0000-1836
14	1	BEARING BLOCK	018-0000-1835
13	1	BALL NUT	013-5000-062
12	1	CONNECTION PLATE	018-0000-1842
11	2	8-32 X 3/4 SHCS	013-0000-156
10	1	SCALE CONNECTION PLATE	018-0000-1847
9	1	BALL SCREW	018-0000-1934-01
8	1	1/4-20 X 1.00 SHCS	013-0000-064
7	1	STAR UPPER STOP	018-0000-1946
6	1	TOP PLATE	018-0000-1833
5	2	BELLVILLE WASHER	013-2000-203
4	3	ANGULAR CONTACT BEARING 7202W	013-2000-090
3	1	PULLEY	018-0000-1029-03
2	1	THRUST WASHER	013-2000-202
1	1	5/16-18 x 1 SHCS	013-0000-083
Item	Qty	Description	LSI P/N

LARSON SYSTEMS INC.

SCALE: NONE

TOLERANCE: .XX +/- .01

DRW. BY: SMH

DATE: 7/26/99

.XXX +/- .005

APPR. BY:

TITLE:

STAR 24 ASSEMBLY

MATERIAL:

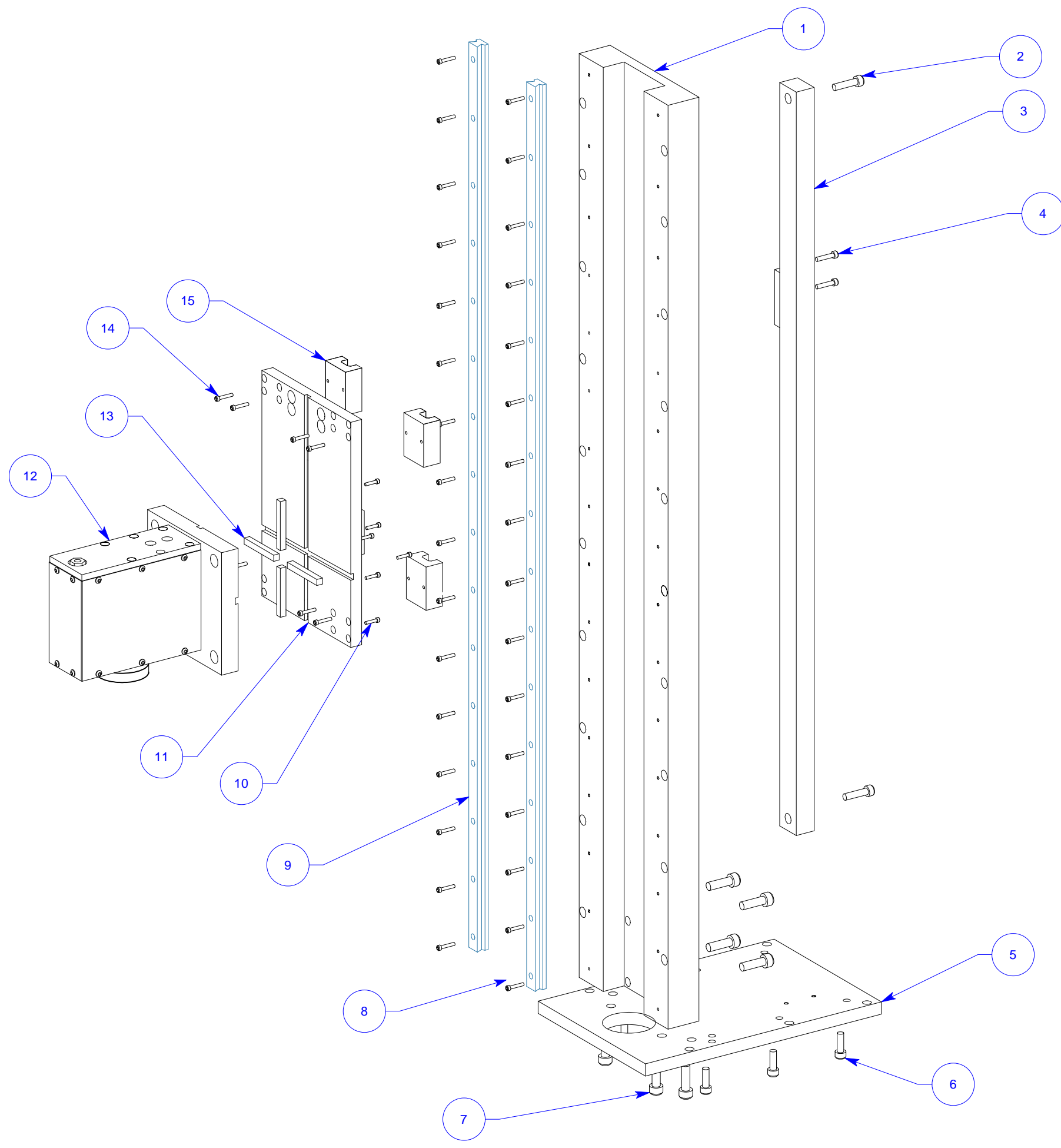
SHEET 1 OF 7

B

DRAWING NUMBER

FINISH:

025-0000-427



15	4	LINEAR BEARING	013-2000-067-01
14	8	M4 X 20 MM SHCS	013-0000-224
13	4	KEY	018-0000-1907
12	1	LOAD CELL ASSY	REF ONLY
11	1	LOAD CELL MOUNTING PLATE	018-0000-1908
10	8	4-40 X .50 SHCS	013-0000-231
9	1	LINEAR RAIL	013-2000-214
8	32	M4 X 14 SHCS	013-0000-148
7	8	5/16-10 X 1.00	013-0000-083
6	6	1/4-20 X .875 SHCS	013-0000-202
5	1	BASE PLATE	018-0000-1832
4	2	1/4-20 X 1.00 SHCS	013-0000-064
3	1	24" SCALE	014-1000-015
2	2	1/4-20 X .75 SHCS	013-0000-032
1	1	MOUNTING PLATE	018-0000-1930
Item	Qty	Description	LSI P/N

LARSON SYSTEMS INC.

SCALE: NONE

TOLERANCE: .XX +/- .01

DRW. BY: SMH

DATE: 7/26/99

.XXX +/- .005

APPR. BY:

TITLE:

STAR 24 ASSEMBLY

MATERIAL:

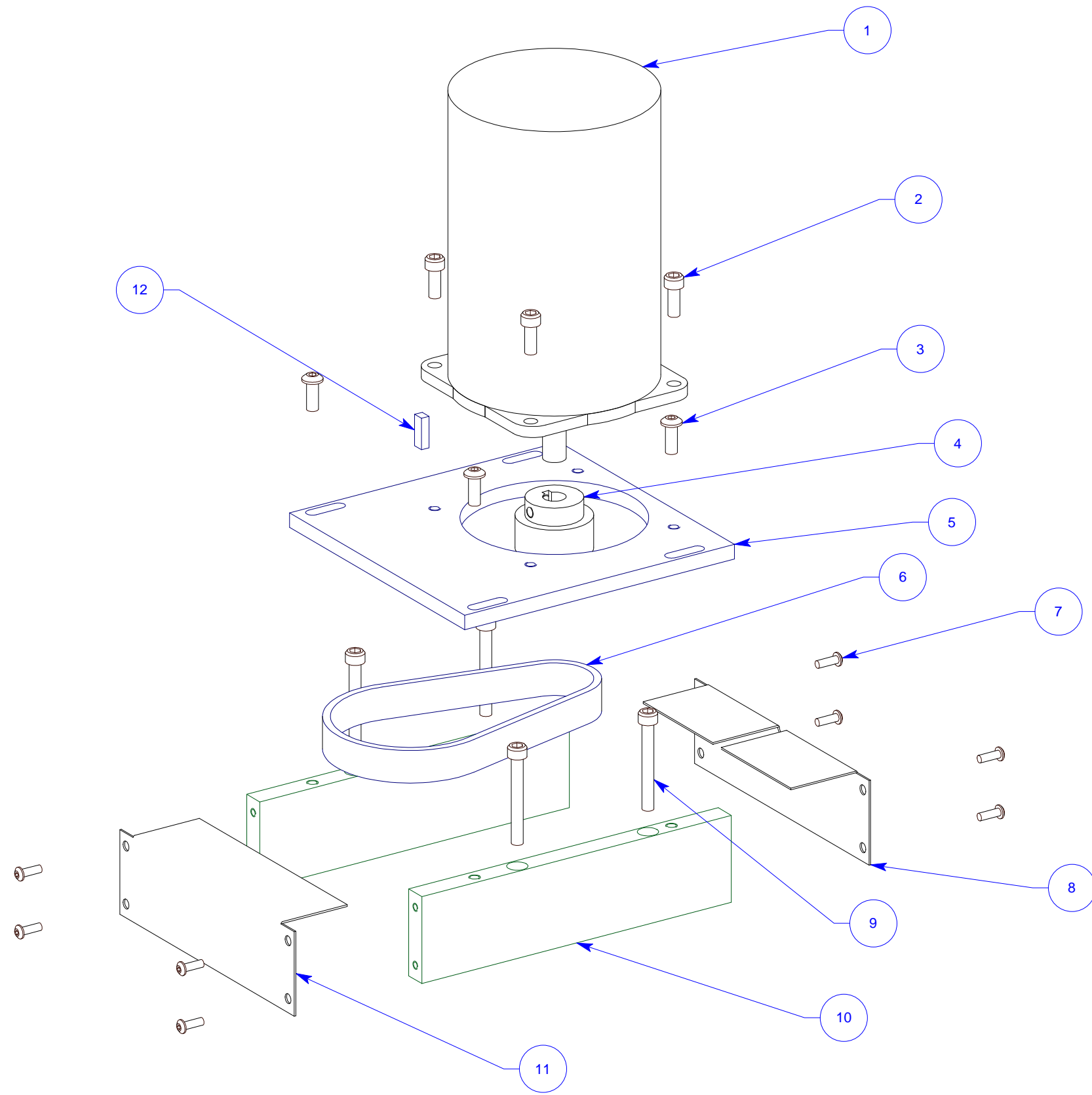
SHEET 2 OF 7

B

DRAWING NUMBER

025-0000-427

FINISH:



NOTES:
1 WIRE DIAGRAM LOCATED ON SHEET 7

12	1	1/8 X 1/8 X 1/5 SQUARE KEY	018-0000-1327-00
11	1	END COVER	018-0000-1026-00
10	2	STAND OFF	018-0000-1027
9	4	10-24 X 1.5 SHCS	013-0000-189
8	1	END COVER	018-0000-1026-01
7	8	10-24 X 1/2 BHSCS	013-0000-026
6	1	TIMING BELT	013-5000-031
5	1	MOTOR MOUNT	018-0000-1028
4	1	PULLEY	018-0000-1029-00
3	4	6-32 X 3/8 BHSCS	013-0000-045
2	4	10-24 X 1/2 SHCS	013-0000-025
1	1	MOTOR	025-1000-173-01
Item	Qty	Description	LSI P/N

LARSON SYSTEMS INC.

SCALE: NONE

TOLERANCE: .XX +/- .01

DRW. BY: SMH

DATE: 7/26/99

.XXX +/- .005

APPR. BY:

TITLE:

STAR 24 ASSEMBLY

MATERIAL:

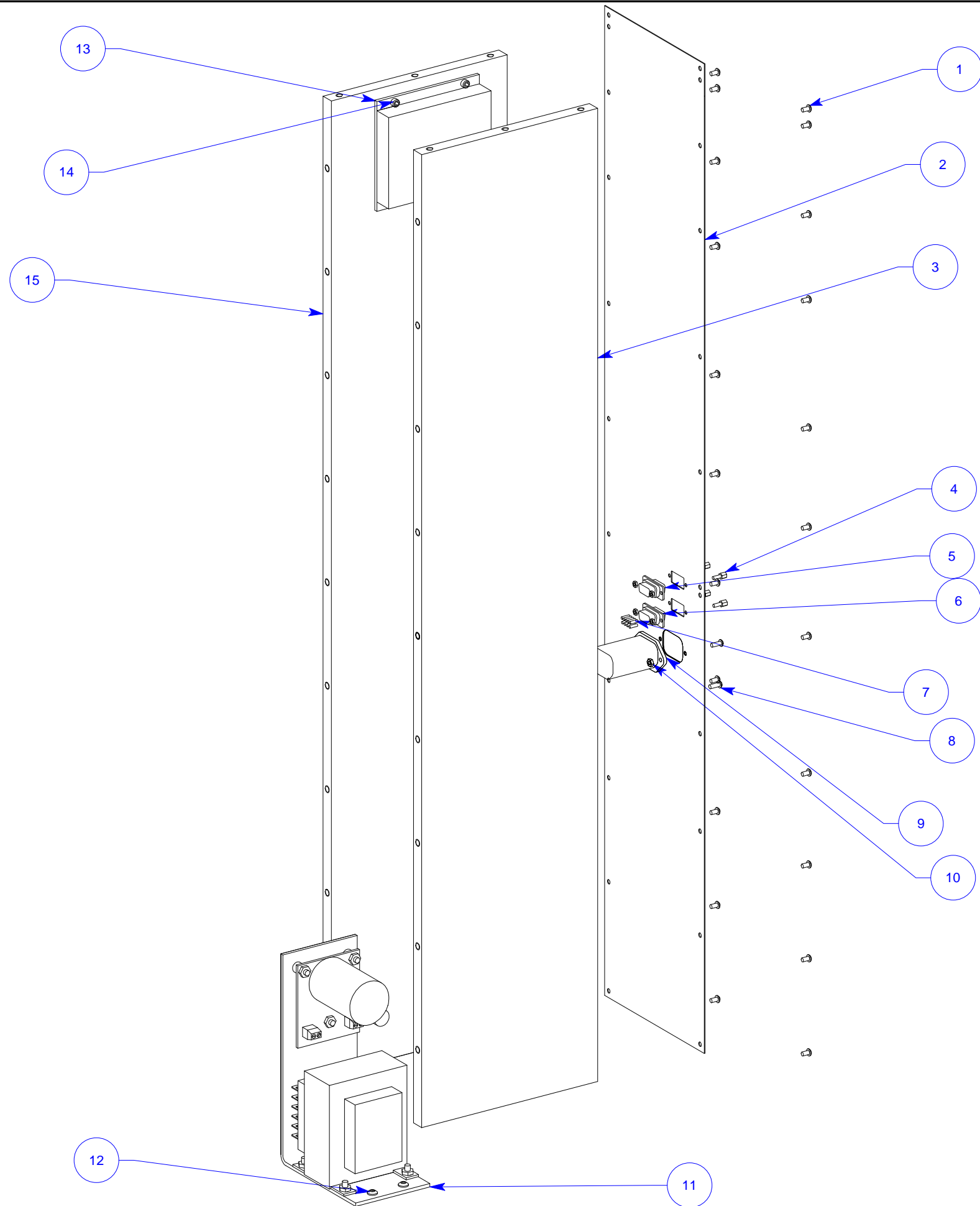
SHEET 3 OF 7

B

DRAWING NUMBER

025-0000-427

FINISH:



15	1	LEFT SIDE PLATE	018-0000-1932
14	4	8-32 X 1/2 SHCS	013-0000-181
13	1	CENTENT CONTROLLER	011-3000-003
12	3	8-32 X 3/8 BHSCS	013-0000-012
11	1	POWER SUPPLY	025-0000-182
10	2	6-32 HEX NUT	013-0000-002
9	1	AC IN POWER PLUG	007-0000-089
8	2	6-32 X 3/8 BHSCS	013-0000-045
7	9	PIN	009-0000-074
6	1	9 PIN MALE D SUB CONNECTOR	009-0000-103
5	1	9 PIN FEMALE D SUB CONNECTOR	009-0000-073
4	4	FEMALE SCREW LOCK	013-1000-001
3	1	RIGHT SIDE PLATE	018-0000-1935
2	1	STAR BACK COVER	018-0000-1933
1	22	6-32 X 1/4 BHSCS	013-0000-077
Item	Qty	Description	LSI P/N

LARSON SYSTEMS INC.

SCALE: NONE

TOLERANCE: .XX +/- .01

DRW. BY: SMH

DATE: 7/26/99

.XXX +/- .005

APPR. BY:

TITLE:

STAR 24 ASSEMBLY

MATERIAL:

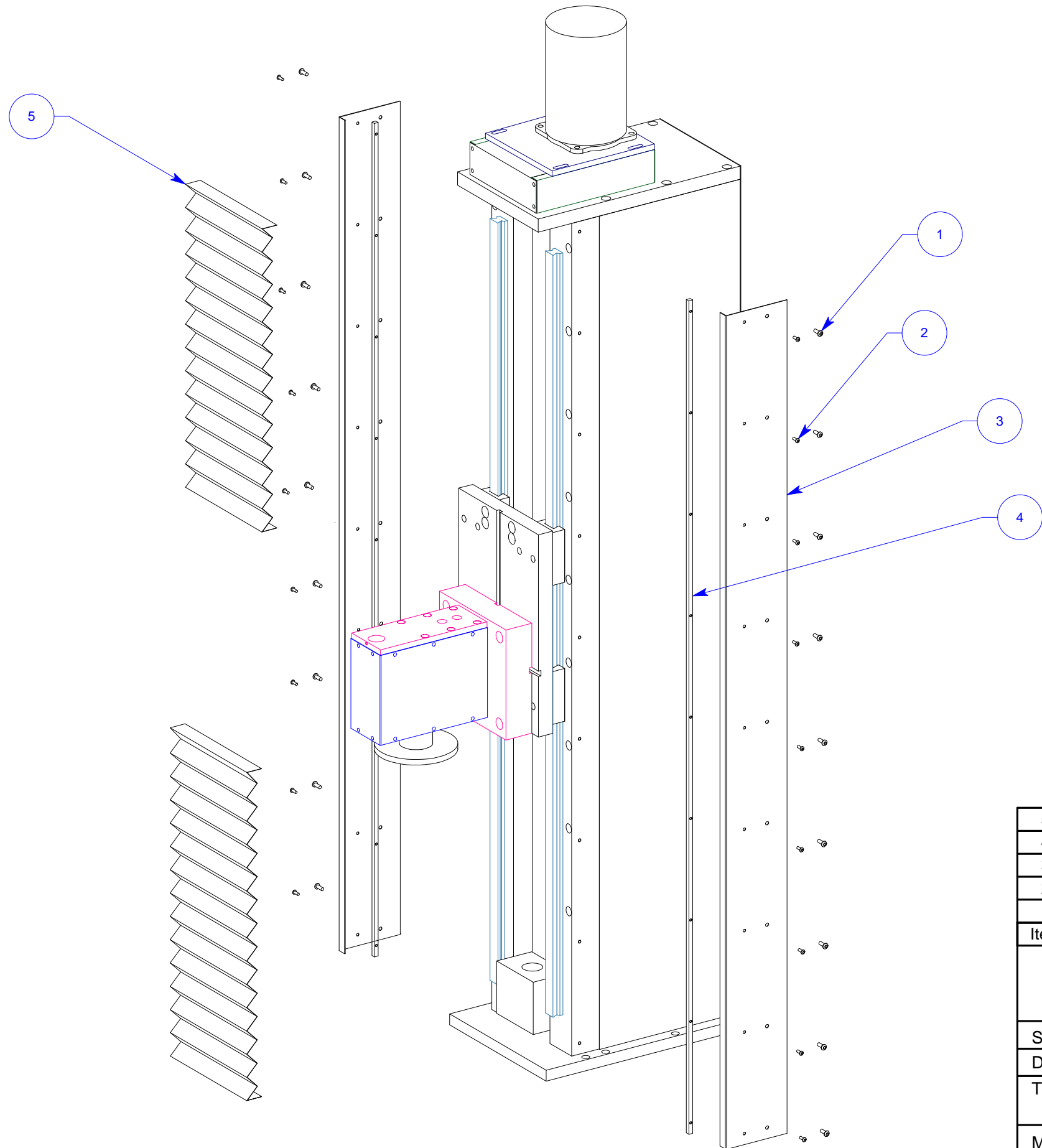
SHEET 4 OF 7

B

DRAWING NUMBER

025-0000-427

FINISH:



5	2	PLEAT	013-7000-015
4	2	PLEAT GUIDE	018-0000-1945
3	2	STAR 24 SIDE COVER	018-0000-1944
2	18	4-40 X .25 BHSCS	013-0000-020
1	18	6-32 x .375 BHSCS	013-0000-045
Item	Qty	Description	LSI P/N

LARSON SYSTEMS INC.

SCALE: NONE

TOLERANCE: .XX +/- .01

DRW. BY: SMH

DATE: 7/26/99

.XXX +/- .005

APPR. BY:

TITLE:

STAR 24 ASSEMBLY

MATERIAL:

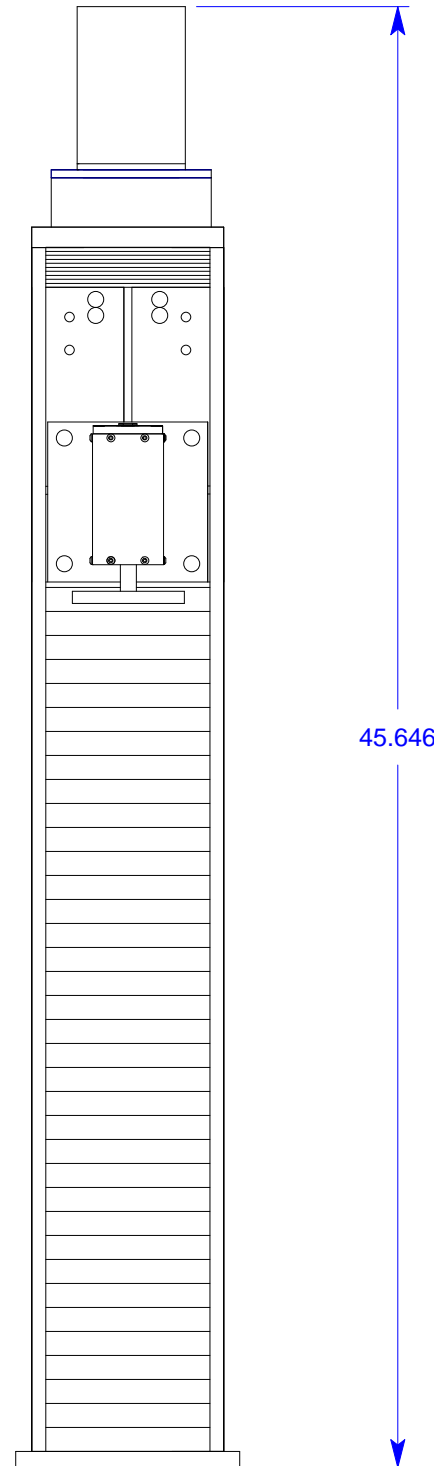
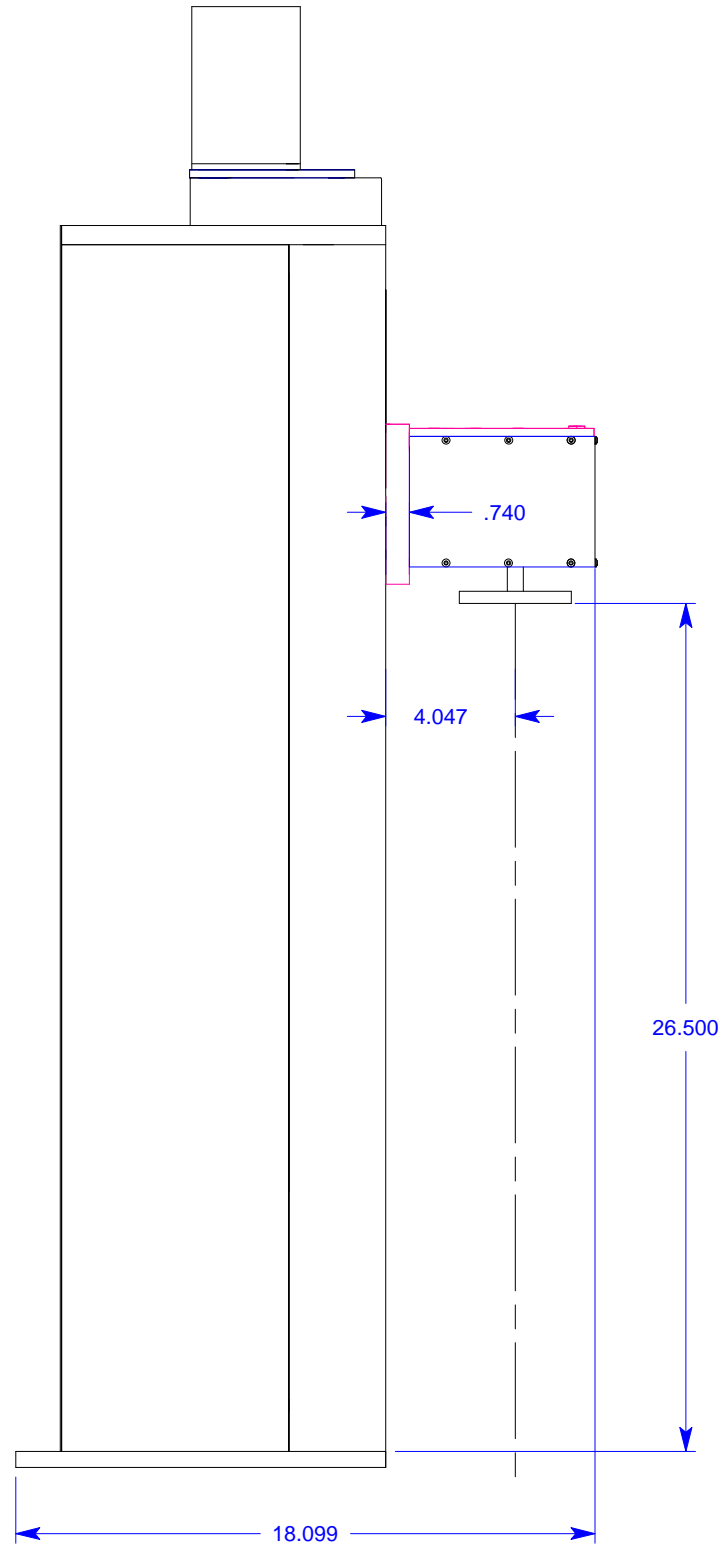
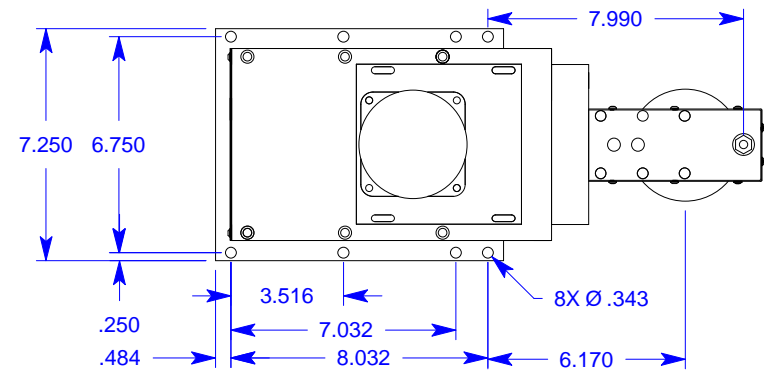
SHEET 5 OF 7

B

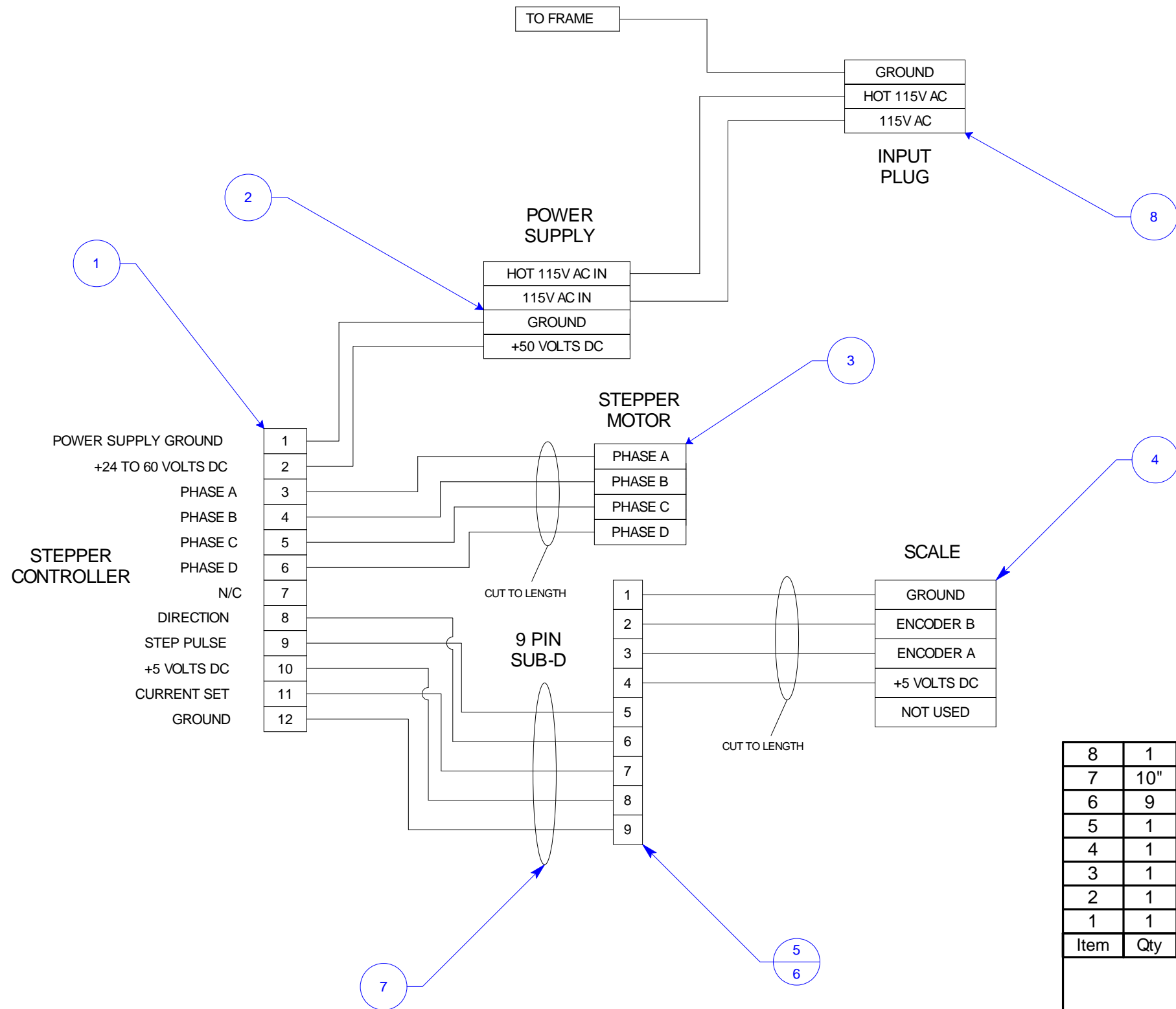
DRAWING NUMBER

025-0000-427

FINISH:



Item	Qty	Description	LSI P/N
LARSON SYSTEMS INC.			
SCALE: NONE		TOLERANCE: .XX +/- .01	DRW. BY: SMH
DATE: 7/26/99		.XXX +/- .005	APPR. BY:
TITLE:		STAR 24 ASSEMBLY	
MATERIAL:		SHEET 6 OF 7	DRAWING NUMBER
FINISH:		B	025-0000-427



8	1	CONTENT CONTROLLER	007-0000-089
7	10"	5 CONDUCTOR CABLE	010-0000-014
6	9	PINS	009-0000-041
5	1	9 PIN FEMALE SUB-D CONNECTOR	009-0000-073
4	1	24" SCALE	014-1000-015
3	1	MOTOR	025-1000-173-01
2	1	POWER SUPPLY	025-1000-182
1	1	STEPPER CONTROLLER	011-3000-003
Item	Qty	Description	LSI P/N

LARSON SYSTEMS INC.

SCALE: NONE

TOLERANCE: .XX +/- .01

DRW. BY: SMH

DATE: 7/26/99

.XXX +/- .005

APPR. BY:

TITLE:

STAR 24 ASSEMBLY

MATERIAL:

SHEET 7 of 7

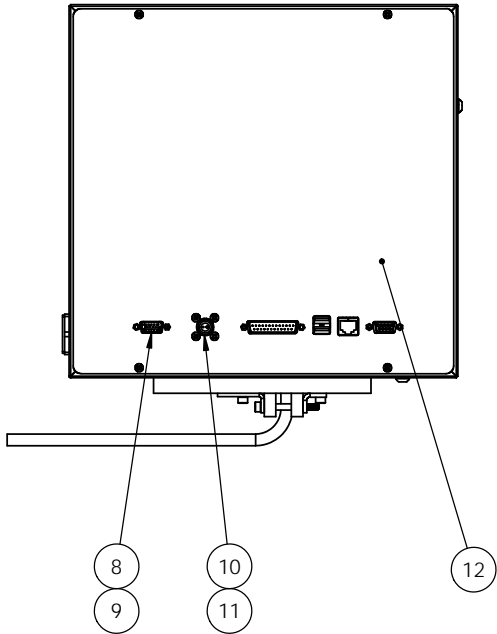
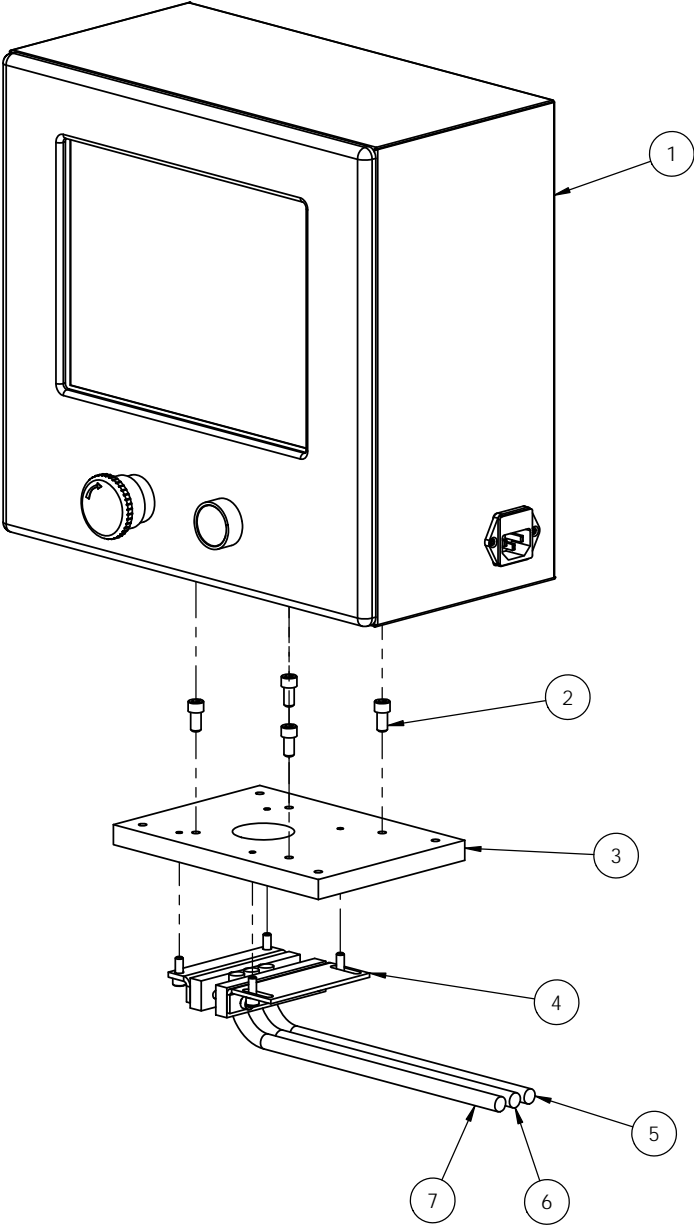
B


DRAWING NUMBER

025-0000-427

FINISH:

REV	DATE	DESCRIPTION	DRW	APP
		SEE SHEET 2		



UNLESS OTHERWISE SPECIFIED DIMENSIONS ARE IN INCHES TOLERANCES ARE: .XX ± .01 .XXX ± .005	 LARSON SYSTEMS INC. 10073 Baltimore St. NE PH. 763-780-2131 Mpls., MN 55449 FAX. 763-780-2182	
APPROVALS	DATE	Flash- RoboStar Remote Head
DRAWN RRS	03/14/12	
APP:		B DWG. NO. 025-0000-0431-15
APP:		SCALE: NONE



025-0000-0431-15

Parts List

FLASH - Robostar remote head

Rev	By	Date	Description
	RRS	03-14-2012	

Item	Qty	Part Number	Rev	Part Name	PCB Location	Part Length
1	1	025-0000-0431-10	B	FLASH - Computer Assembly		in.
2	4	013-0000-0031-00		1/4-20 X 1/2 SHCS		in.
3	1	018-0000-3378-00		Robostar Flash computer mounting plate		in.
4	1	025-0000-0871-01		Cable Strain Relief Assy. x 3.375		in.
5	1	025-1000-0595-01	A	Robo-STAR External Power Cable 15 ft		in.
6	1	025-1000-0597-01	A	Robo-STAR External Smart Cell Cable To FLASH		in.
7	1	025-1000-0596-01	A	S200 SERVO CONTROL EXTERNAL CABLE - Robo-		in.
8	1	025-1000-0641-01		VGA Cable for FLASH Computers - Extended		in.
9	6	013-1000-0010-00		Female Screw Lock		in.
10	1	025-1000-0585-01		Cable, Flash AC Dist pcb to Start/Epo switches &		in.
11	4	013-0000-0077-00		6-32 X 1/4 BHCS		in.
12	-1	018-0000-2864-01	B	COMPUTER BACK COVER w/RESET		in.
12	1	018-0000-2864-02	B	Computer Back Cover, FLASH / RoboStar, with VGA		in.

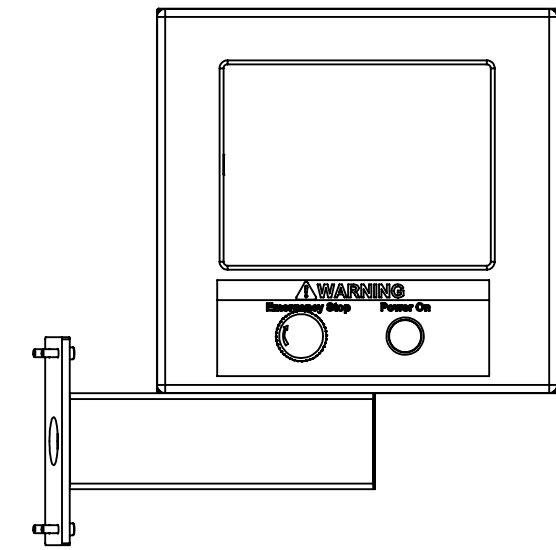
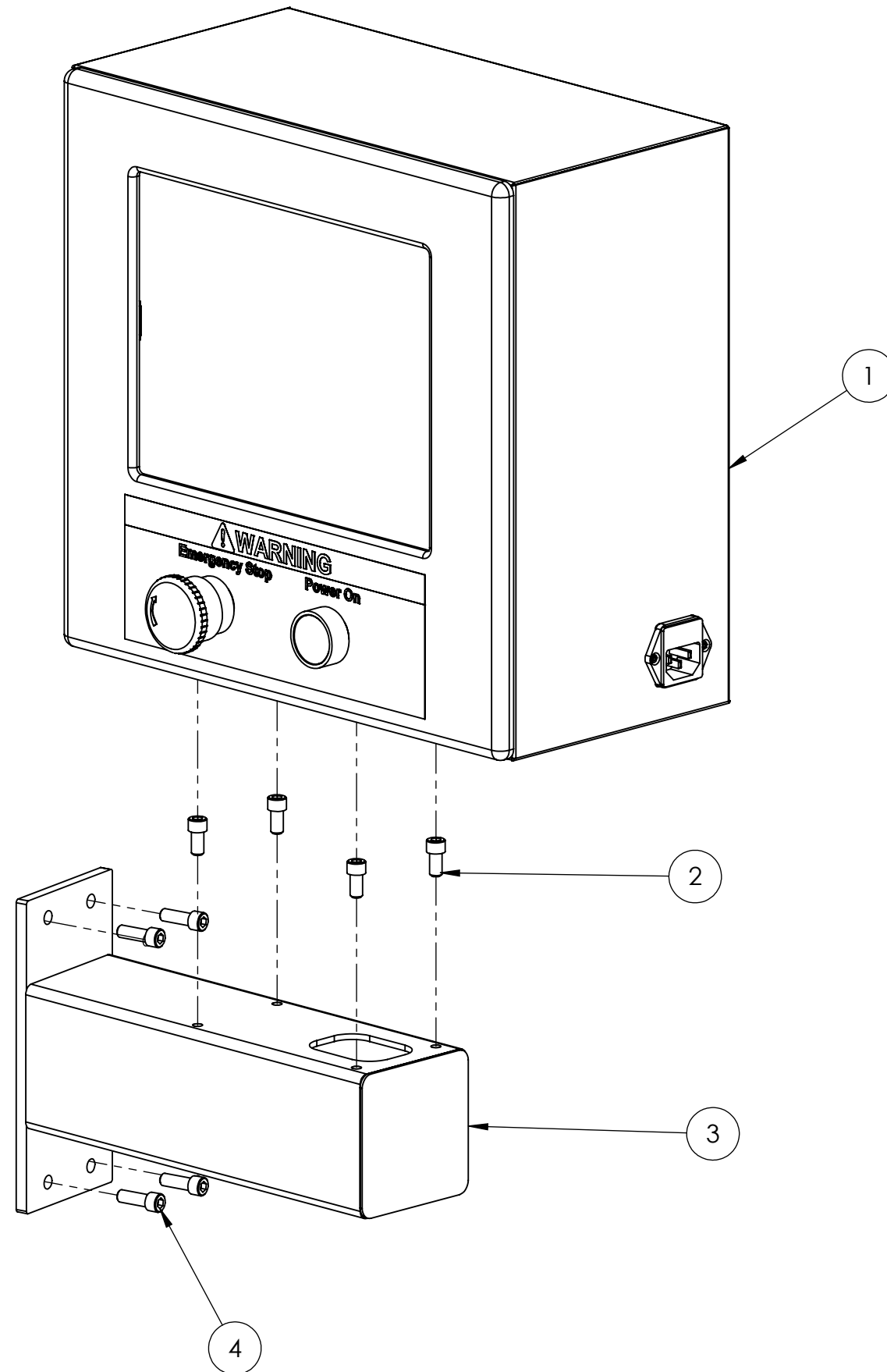
Approved by:

Date:

March 20, 2012

SEE ATTACHED DRAWING

REV	DATE	DESCRIPTION	DRW	APP
		SEE SHEET 2		



UNLESS OTHERWISE SPECIFIED
DIMENSIONS ARE IN INCHES
TOLERANCES ARE:
.XX ± .01
.XXX ± .005

MATERIAL See Parts List

FINISH None

HEAT TREAT None



LARSON SYSTEMS INC.

10073 Baltimore St. NE PH. 763-780-2131
Mpls., MN 55449 FAX. 763-780-2182

APPROVALS DATE

DRAWN RRS 03/14/12

APP.

APP.

Flash Computer for Star Tester

B DWG. NO. 025-0000-0431-13A

SCALE: NONE SHEET 1 OF 2



025-0000-0431-13 A

Parts List

FLASH - Robostar attached head

Rev	By	Date	Description
	RRS	03-14-2012	
A	DAL	05-04-2013	018-0000-1879-06 was 018-0000-1879-04

Item	Qty	Part Number	Rev	Part Name	PCB Location	Part Length
1	1	025-0000-0431-10	C	FLASH - Computer Assembly		in.
2	4	013-0000-0031-00		1/4-20 X 1/2 SHCS		in.
3	1	018-0000-1879-06		Support Arm Weldment, FLASH 36		in.
4	4	013-0000-0032-00		1/4-20 X 3/4 SHCS		in.

Approved by: 

Date: May 4, 2013

SEE ATTACHED DRAWING



Larson Systems Inc.
10073 Baltimore Street NE
Minneapolis, MN 55449-4425
www.larsonsystems.com

763-780-2131
1-877-780-2131
Fax: 763-780-2182
info@larsonsystems.com

